

PIVOT colour video handset

344122

Description

2 WIRE PIVOT video handset for wall mounted, flush mounted, or table top installation. TFT colour 4" flat monitor. It has door lock release, staircase light, and entrance panel activation keys.

The device offers the possibility of selecting among 16 already programmed bells for floor call, main entrance panel, intercom call, and secondary entrance panel. The call volume can be set on three levels: high, medium and disabled (this condition is signalled by a flashing red LED).

It also has a call secrecy function. It is connected to the system using the removable clamp supplied.

Wall mounting bracket supplied as standard.

Related items

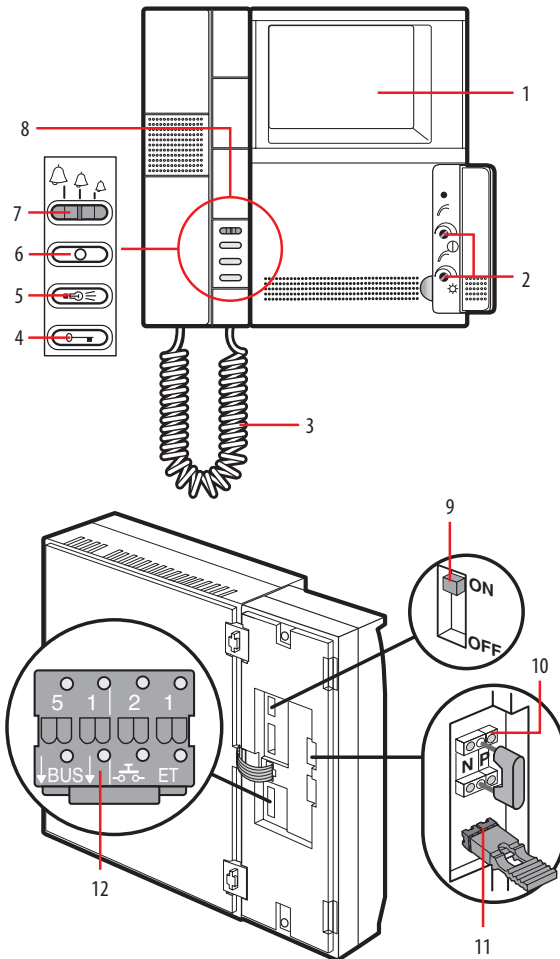
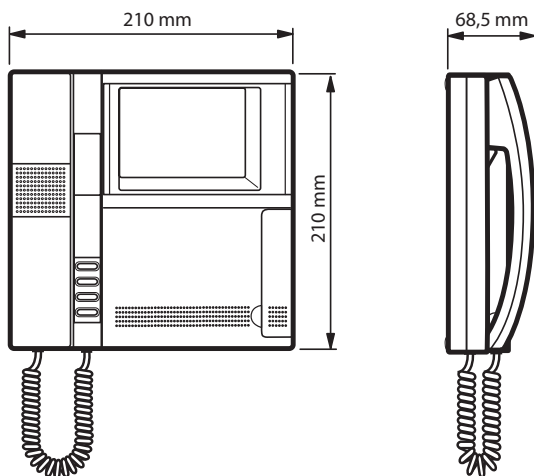
346812 4 key small block for auxiliary functions - white
337122 table-top support - white

NOTE: for flush mounted installation refer to the specific accessories of the **MULTIBOX** range.

Technical data

Power supply from SCS BUS: 18 – 27 Vdc
Stand by absorption: 5 mA
Max. operating absorption: 290 mA
Operating temperature: 5 - 40°C

Dimensional data



Legend

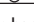

1. 4" TFT colour monitor
2. Monitor colour, contrast, and brightness adjustment
3. Extensible cord capped on both ends with RJ connectors
4. Door lock key
5. Staircase light key
6. Entrance panel activation/cycling
7. Electronic call with volume adjustable on 3 levels: high, medium, disabled (the excluded call is signalled by a flashing red LED)
8. 4-key block housing (optional)
9. Line termination ON/OFF micro-switch
10. Configurator socket
11. MASTER-SLAVE Jumper (remove to enable SLAVE)
12. Plug-in clamp for the connection of the 2 WIRE BUS, additional power supply, and auxiliary floor call function, as well as extra bell.

Configuration

N – handset number

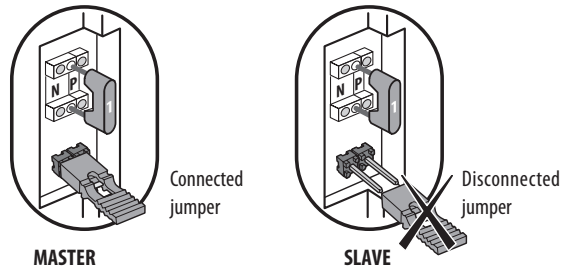
The N configurator assigns each video handset an identification number within the system. The handsets must be configured in progressive order. The handsets must be configured in progressive order. Handsets with parallel connection (max 3 are allowed inside apartments without 346850) must be configured using the same N configurator. In parallel with the main video handset, additional handsets, video handsets and/or bells may be installed.

P – entrance panel association

The P configurator identifies the entrance panel associated, or the first entrance panel to activate before pressing the key  and which door lock is activated when the key  is pressed while the video handset is idle.

MASTER – SLAVE selection jumper

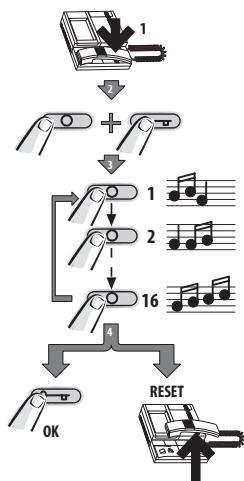
In multi-family systems with several video handsets (max. 3) connected in parallel inside the same apartment (without using 346850), both the MASTER and the SLAVE handsets must be set, by connecting or removing the selection jumper.



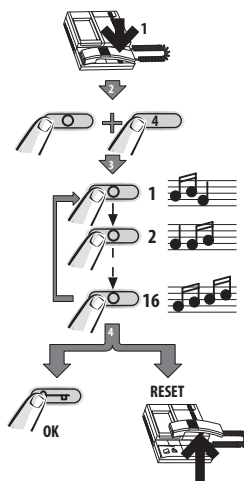
When a call is received, the MASTER video handset of the system rings and switches on, while the video handsets configured as SLAVE only rings.
If the call is answered from a SLAVE unit, the MASTER unit switches off again, while the monitor of the SLAVE unit the call has been answered from comes on.
When a pushbutton of SLAVE unit is pressed before answering, the MASTER handset monitor switches off, while the monitor of SLAVE on which the pushbutton has been pressed switches on, but without audio connection.

Programming of bells

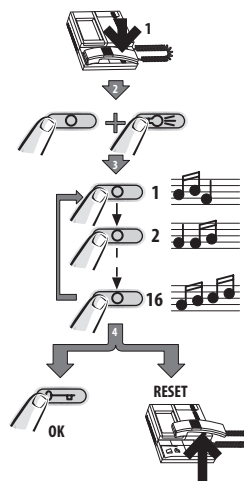
Bell selection from MAIN ENTRANCE PANEL (S=0 - S=4)



Bell selection from SECONDARY ENTRANCE PANEL (S=0 - S=5)



FLOOR CALL bell selection



INTERCOM CALL bell selection

