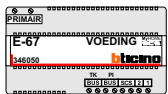
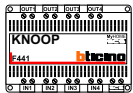
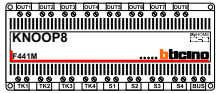
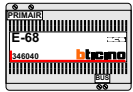


Het fabrieksschema, dat u zoekt, staat op de volgende pagina.



Groothandel Nelec heeft voor alle tweedraads deurcommunicatie van BTicino zeer duidelijke Nederlandse schema's en gebruiksaanwijzingen gemaakt. U vindt alles op [www.nelec.com](http://www.nelec.com). Als u BTicino deurcommunicatie koopt bij Nelec, krijgt u voor ieder project een aansluitschema op maat, worden de buitenposten in elkaar gezet en zijn alle videofoons voorgeprogrammeerd. De monteur kan direct aan de slag en als hij een vraag heeft, krijgt hij bij Nelec iemand met verstand van zaken aan de lijn. Alle informatie staat duidelijk op [www.nelec.com](http://www.nelec.com).

Klik op deze pagina voor meer informatie over dit product.



**nelec**  
INTERCOM MADE EASY



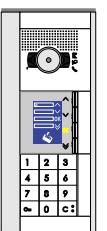
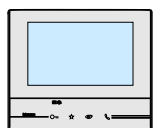
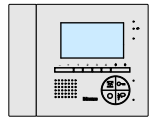
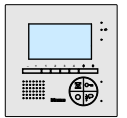
**The Bticino factory file you're looking for is on the next page.**

Specialized wholesaler Nelec has made excellent manuals in Dutch for all BTicino two-wire intercom components. Get more information on this product by clicking this page.

**wholesaler Nelec BV**  
**intercom made easy**  
**www.nelec.com**  
Gyroscoopweg 106  
1042 AX Amsterdam  
Postbus 20674  
1001 NR Amsterdam

e-mail [info@nelec.com](mailto:info@nelec.com)

Telefoon 020-6 352 350  
Verkoop 020-6 352 351  
Administratie 020-6 352 352  
Techniek 020-6 352 353  
Offertes 020-6 352 357





# SFERA NEW - SFERA ROBUR

## Wide angle audio and video module

351300

### Description

Wide angle audio/video module for the installation of 2 WIRE colour video systems. With Colour camera with 1/3" sensor and white LEDs for the lighting of the shooting field. Mist prevention heating resistance. Loudspeaker and Microphone volume adjustments. It can manage up to 98 pushbutton calls using the additional double row pushbutton modules. It offers the possibility of opening an electrical door lock directly connected to clamps S+ and S- (18 V 4 A impulsive - 250 mA holding current 30 Ohm max) and of connecting a local door lock release pushbutton on clamps PL. Preset for additional power supply. Fitted with front LEDs for the notification of the operating status: door lock release, communication active, call put through, and system busy. Integrated optic sensor for the switching on of the night backlighting. To be completed with surround plate. The device must be configured physically or using a PC and the TiSferaDesign software.

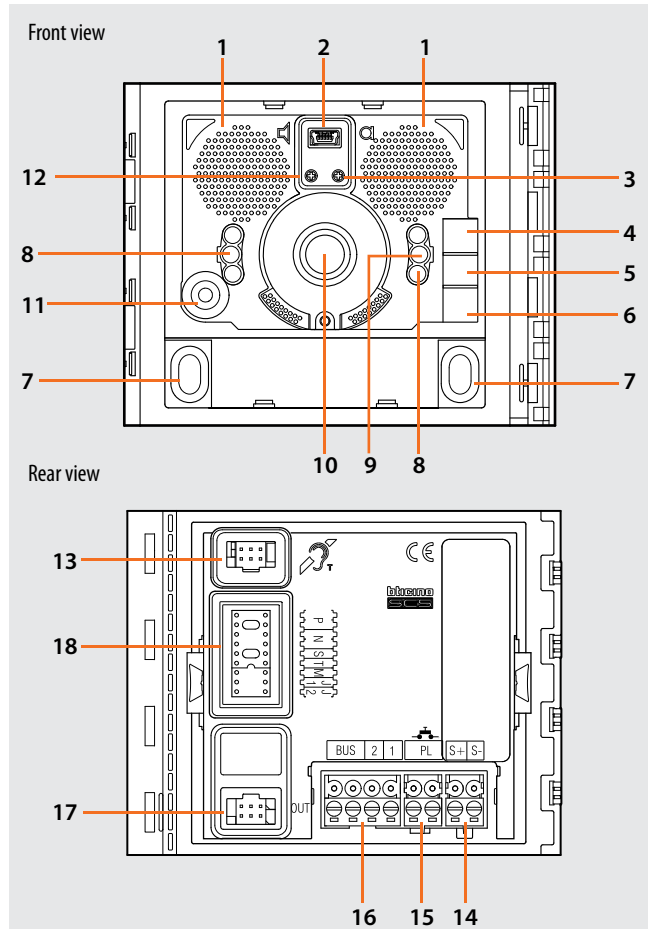
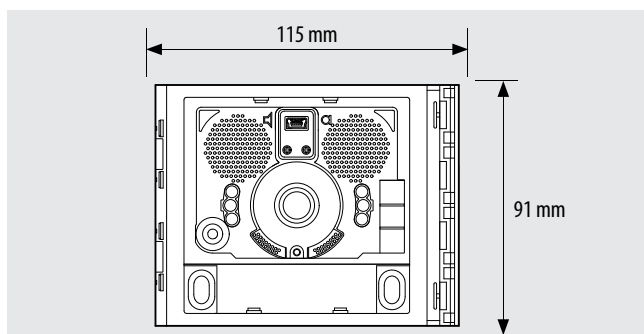
### Related items

- 351301 Sfera New wide angle A/V front cover - Allmetal (IK 08)
- 351302 Sfera New wide angle A/V front cover - Allwhite (IK 08)
- 351303 Sfera New wide angle A/V front cover - Allstreet (IK 08)
- 351311 Sfera New wide angle A/V front cover with 1 pushbutton - Allmetal (IK 08)
- 351312 Sfera New wide angle A/V front cover with 1 pushbutton - Allwhite (IK 08)
- 351313 Sfera New wide angle A/V front cover with 1 pushbutton - Allstreet (IK 08)
- 351321 Sfera New wide angle A/V f/cover with 2 pushbuttons on double row - Allmetal (IK 08)
- 351322 Sfera New wide angle A/V f/cover with 2 pushbuttons on double row - Allwhite (IK 08)
- 351323 Sfera New wide angle A/V f/cover with 2 pushbuttons on double row - Allstreet (IK 08)
- 351305 Sfera Robur wide angle A/V f/cover (IK 10)
- 351315 Sfera Robur wide angle A/V f/cover with 1 pushbutton (IK 10)
- 351325 Sfera Robur wide angle A/V f/cover with 2 pushbuttons on double row (IK 10)

### Technical data

Power supply from SCS BUS:	18 - 27 Vdc
Stand by absorption (with backlighting LEDs off):	15 mA
Stand by absorption (with backlighting LEDs on):	20 mA
Max. operating absorption:	140 mA
Colour sensor:	1/3"
Lens:	F2.5 f1.8 mm
Resolution:	330 TV lines (horizontal)
Illumination of the viewing field:	white LED
Brightness adjustment:	Automatic
Interlace:	2 : 1
Mist prevention heating resistance	
Operating temperature:	(-25) - (+70)°C
Protection index (pushbutton panel assembled):	IP 54

### Dimensional data



### Legend

1. Loudspeaker
2. Mini-USB connector for the connection to the PC : download/upload the advanced configuration and device firmware update
3. Microphone volume adjustment
4. LED for door status notification. GREEN ON = door open
5. LED for communication status notification. GREEN ON = active communication
6. LED for system status notification. GREEN ON = put through call  
RED ON= busy system
7. Call pushbuttons
8. White LEDs for night lighting of the shooting field
9. Light sensor for automatic switching on of the night backlighting
10. Wide angle colour camera
11. Microphone
12. Loudspeaker volume adjustment
13. Connector for the connection of the 352700 teloop module
14. Plug-in clamps for the connection and control of the electrical door lock (18 V 4 A impulsive 250 mA holding current 30 ohm max)
15. Plug-in clamps for the connection of the local door lock release pushbutton
16. Plug-in clamps for the connection of the local power supply and the 2 WIRE SCS BUS
17. Connector for the connection to subsequent modules
18. Configurator socket

**Configuration**

The device must be configured. The configuration can be performed in two ways :

- Mode 1 - with physical configurator connection
- Mode 2 - with PC and software TiSferaDesign

**Mode 1**

Mod 1 requires the physical connection of the configurators to their sockets

**P - entrance panel number**

The configurator in socket P of the speaker module assigns to this a recognition number inside the system. The numbering of the entrance panels must always start from P=0. The entrance panel configured with P=0 must be a common (or main) entrance panel.

**N - call number**

Assigns the correspondence between the entrance panel pushbuttons and the audio handsets or video handsets.

In common entrance panels made using pushbutton modules, 1 must be inserted in N of the speaker module. The number of the first riser handset must be inserted in the local entrance panels.

**S - type of call signal**

The configuration of S determines the call tone of handsets. One can thus differentiate the calls from different entrance panels.

For the SWING, PIVOT, POLYX and AXOLUTE handsets, S associates the Entrance panel to the bell programmed in the same apartment. It is possible to chose between 16 different preset bells.

For the SPRINT handsets, S sets the call ringtone, according to the following table:

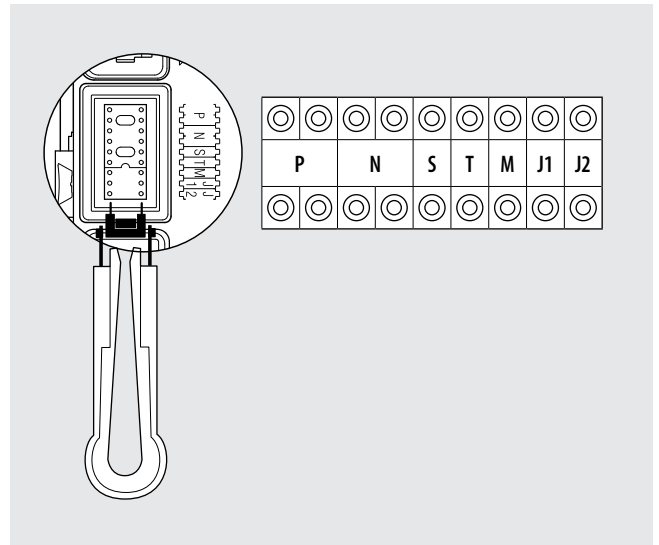
Configurator	0	1	2	3
Type of bell	2-tone	2-tone	2-tone	One-tone
	1200 Hz	1200 Hz	1200 Hz	1200 Hz
	600 Hz	0 Hz	2400 Hz	

In one-family systems S=9 to configure the general call.

**T - door lock relay timing**

	Configurator number						
0=no configurator	1	2	3	4*	5	6	7
4 sec	1 sec	2 sec	3 sec	as pushbutt.	6 sec	8 sec	10 sec

\*Operation as pushbutton for 10 sec. max after which standby mode is activated. To extend operation time over 10 seconds, use actuator item 346200 configured with MOD=5.



**M - enabling/disabling of call tones and door lock release tones, and management of night backlighting always ON**

The M configurations gives the possibility of managing the entrance panel call and door lock release tones. It also gives the possibility of enabling night backlighting always ON (light sensor disabled) according to the following table:

Configurator	M=0	M=1	M=2	M=3
Tone status	All tones enabled	Door lock tone disabled	Call tone disabled	All tones disabled

Configurator	M=4	M=5	M=6	M=7
Backlighting status	All tones enabled + backlighting always ON	Door lock tone disabled + backlighting always ON	Call tone disabled + backlighting always ON	All tones disabled + backlighting always ON

**J1 - activation of call pushbutton columns**

The J1 configurator gives the possibility of managing the Call pushbuttons of the speaker module as follows:

- J1 CONNECTED = Only the right pushbutton column is enabled
- J1 DISCONNECTED = Both pushbutton columns are enabled (right + left)

**J2 - additional EP power supply**

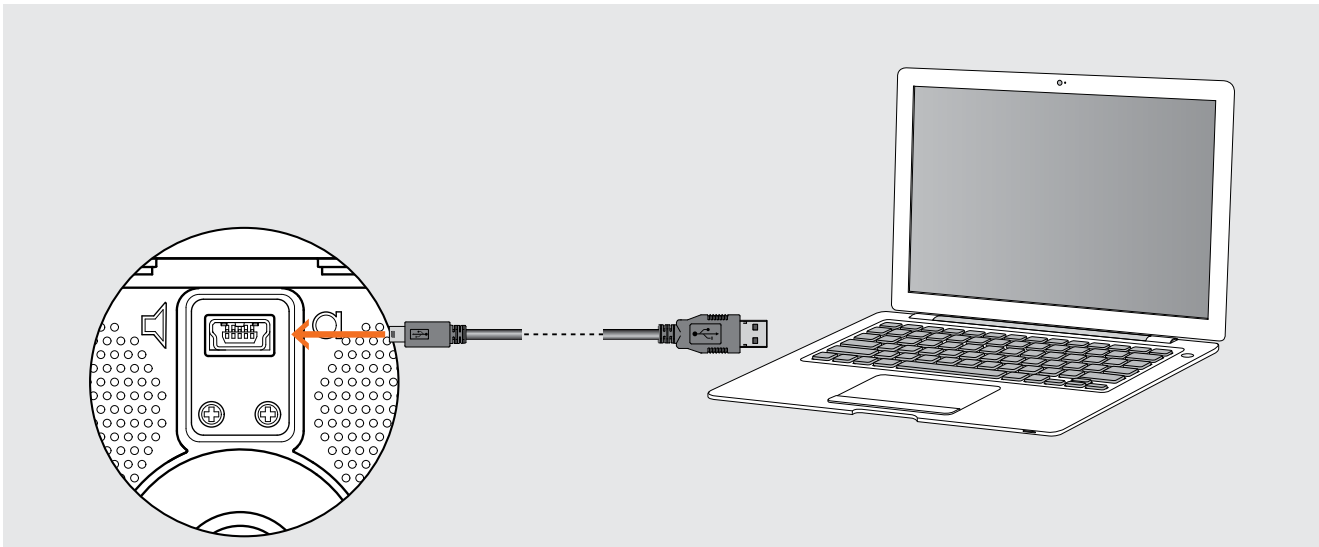
Configurator J2 gives the possibility of enabling the additional power supply (1-2) of the speaker module in the following mode :

- J2 CONNECTED = Additional power supply disabled
- J2 DISCONNECTED = Additional power supply enabled

**Configuration**

Mode 2 requires advanced configuration of the device, performed using a PC and the TiSferaDesign software (which can be downloaded free of charge from the [www.bticino.com](http://www.bticino.com)). For the connection to the PC use a USB - mini USB cable. The software gives the possibility of configuring, programming, and updating the firmware

of the speaker module. The presence of the mini USB connection of the front of the speaker module gives the possibility of performing these operations without the need to disassemble the device.



**Camera shooting field**

