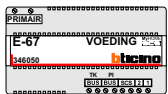
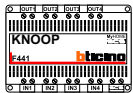
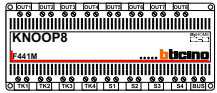
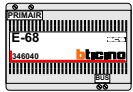


Het fabrieksschema, dat u zoekt, staat op de volgende pagina.



Groothandel Nelec heeft voor alle tweedraads deurcommunicatie van BTicino zeer duidelijke Nederlandse schema's en gebruiksaanwijzingen gemaakt. U vindt alles op [www.nelec.com](http://www.nelec.com). Als u BTicino deurcommunicatie koopt bij Nelec, krijgt u voor ieder project een aansluitschema op maat, worden de buitenposten in elkaar gezet en zijn alle videofoons voorgeprogrammeerd. De monteur kan direct aan de slag en als hij een vraag heeft, krijgt hij bij Nelec iemand met verstand van zaken aan de lijn. Alle informatie staat duidelijk op [www.nelec.com](http://www.nelec.com).

Klik op deze pagina voor meer informatie over dit product.



**nelec**  
INTERCOM MADE EASY



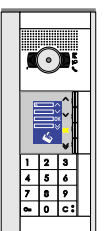
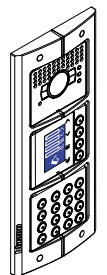
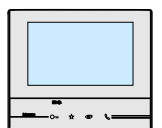
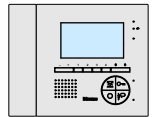
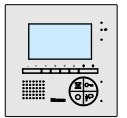
**The Bticino factory file you're looking for is on the next page.**

Specialized wholesaler Nelec has made excellent manuals in Dutch for all BTicino two-wire intercom components. Get more information on this product by clicking this page.

**wholesaler Nelec BV**  
**intercom made easy**  
**www.nelec.com**  
Gyroscoopweg 106  
1042 AX Amsterdam  
Postbus 20674  
1001 NR Amsterdam

e-mail [info@nelec.com](mailto:info@nelec.com)

Telefoon 020-6 352 350  
Verkoop 020-6 352 351  
Administratie 020-6 352 352  
Techniek 020-6 352 353  
Offertes 020-6 352 357





# SFERA NEW - SFERA ROBUR

## Display module

352500

### Description

Graphic display module to be used with speaker module 351100 or with audio/video modules 351200 – 351300 (connection using the multicable supplied). It can operate in two modes: call from address book, or digital call. The call from the address book gives the possibility of sending the call by scrolling on the display the names associated to the residents. It is possible to store up to 4000 residents names. Using the keypad module item 353000 it is also possible to directly call the apartment by entering the number corresponding to the resident. The digital call is also performed using the keypad module item 353000 by entering the numerical code. It is recommended that one or more nameplate modules, item 352200, are installed at the side of the pushbutton panel to display the correspondence between the numerical codes and the names of the users. It is possible to program the names in the address book in two different ways: manual inclusion using the pushbuttons of the display module or inclusion using a PC with the TiSferaDesign software installed, by downloading the file to the display module (RECOMMENDED). System power supply cuts do NOT cause the loss of memory data. To be completed with surround plate.

The device must not be configured.

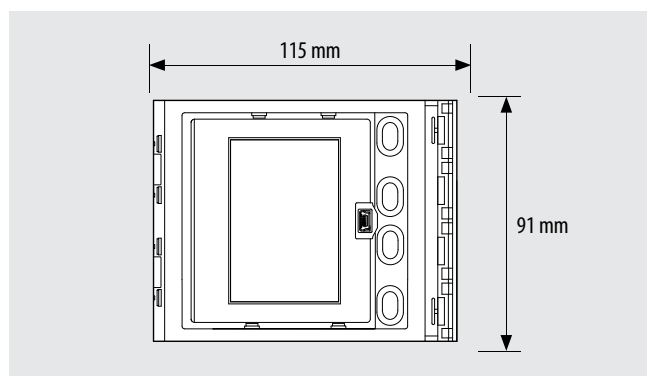
### Related items

- 352501 Sfera New display front cover - Allmetal (IK 08)
- 352502 Sfera New display front cover - Allwhite (IK 08)
- 352503 Sfera New display front cover - Allstreet (IK 08)
- 352505 Sfera Robur display front cover (IK 09)

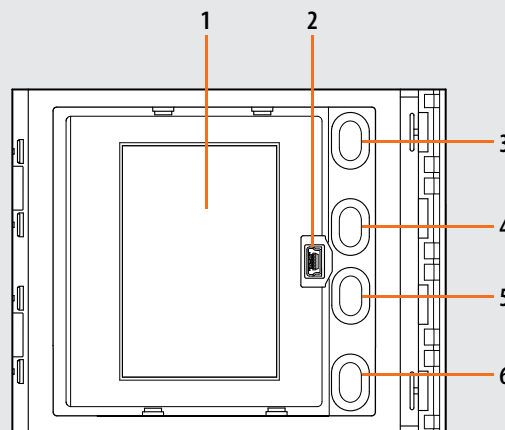
### Technical data

Power supply from SCS BUS:	18 - 27 Vdc
Stand by absorption:	40 mA
Max. operating absorption:	50 mA
Display type:	Negative transfective
FSTN	
Display resolution:	160 x 240
Operating temperature:	(-25) – (+70)°C
Protection index (pushbutton panel assembled):	IP 54

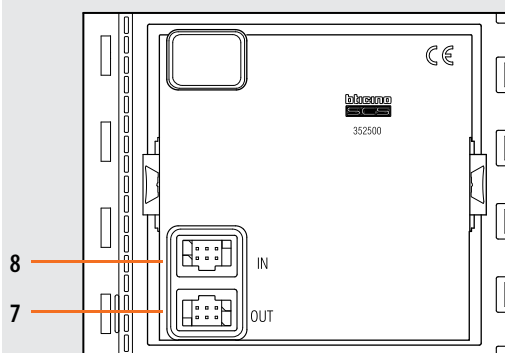
### Dimensional data



Front view



Rear view



### Legend

1. Graphic display
2. Mini-USB connector for the connection to the PC : programming of residents address book and device firmware update
3. Residents names scroll pushbutton (UP)
4. Residents names scroll pushbutton (DOWN)
5. Confirmation pushbutton – send call (OK)
6. Quick scroll pushbutton
7. Connector for the connection to subsequent modules
8. Connector for the connection to previous modules

**Connection to the PC**

It is possible to program the residents address book and update the device Firmware using a PC and the TiSferaDesign software (which can be downloaded free of charge from the [www.bticino.com](http://www.bticino.com)).  
For the Connection to the PC, use a USB - mini USB cable.

The software gives the possibility of updating the device and download the residents address book. The presence of the mini USB connection of the front of the speaker module gives the possibility of performing these operations without the need to disassemble the device.

