

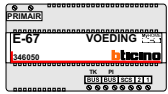
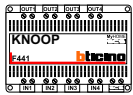
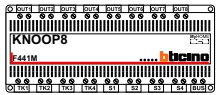
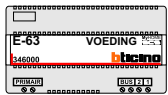
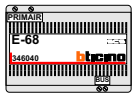
Het fabrieksschema, dat u zoekt, staat op de volgende pagina.



Groothandel Nelec heeft voor alle tweedraads deurcommunicatie van BTicino zeer duidelijke Nederlandse schema's en gebruiksaanwijzingen gemaakt. U vindt alles op [www.nelec.com](http://www.nelec.com). Als u BTicino deurcommunicatie koopt bij Nelec, krijgt u voor ieder project een aansluitschema op maat, worden de buitenposten in elkaar gezet en zijn alle videofoons voorgeprogrammeerd. De monteur kan direct aan de slag en als hij een vraag heeft, krijgt hij bij Nelec iemand met verstand van zaken aan de lijn. Alle informatie staat duidelijk op [www.nelec.com](http://www.nelec.com).



Klik op deze pagina voor meer informatie over dit product.



# nelec

INTERCOM MADE EASY



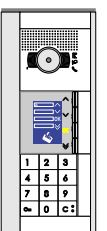
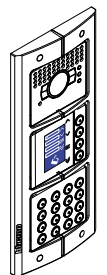
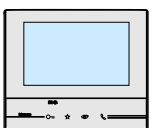
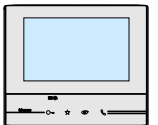
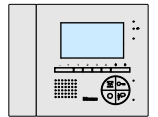
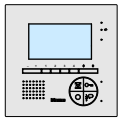
The Bticino factory file you're looking for is on the next page.

Specialized wholesaler Nelec has made excellent manuals in Dutch for all BTicino two-wire intercom components. Get more information on this product by clicking this page.

wholesaler Nelec BV  
 intercom made easy  
[www.nelec.com](http://www.nelec.com)  
 Gyroscopweg 106  
 1042 AX Amsterdam  
 Postbus 20674  
 1001 NR Amsterdam

e-mail [info@nelec.com](mailto:info@nelec.com)

Telefoon 020-6 352 350  
 Verkoop 020-6 352 351  
 Administratie 020-6 352 352  
 Techniek 020-6 352 353  
 Offertes 020-6 352 357



### LINEA 2000 Colour video entrance panels

#### Description

Wall mounted 2-wire pushbutton panel with aluminium front cover, colour camera, and night viewing white LED light. One and two-family version available. The camera can be swivelled by  $\pm 15^\circ$ , both horizontally and vertically. It provides the possibility of opening an electrical door lock connected directly to clamps S+ and S- (18 V 4 A impulsive, 250 mA holding current). Green LED backlit name plate.

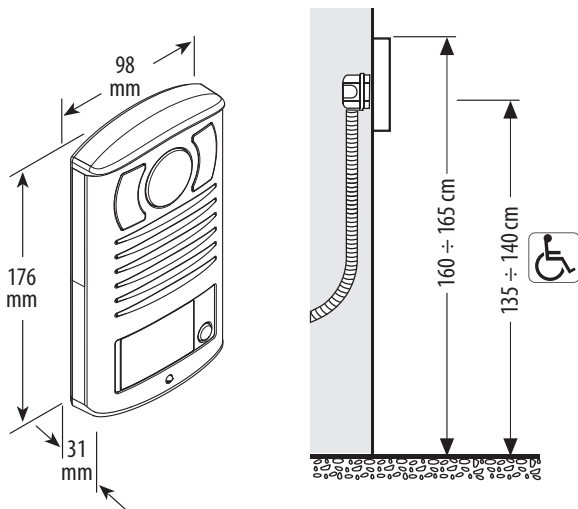
#### Related items

346250 relay module to control door lock not managed by BUS SCS.

#### Technical data

Power supply from SCS BUS: 18 - 27 Vdc  
Stand by absorption: 30 mA  
Max. operating absorption: 270 mA  
Operating temperature: (-25) - (+70)°C  
Protection index: IP54  
PI against mechanical impact: IK07

#### Dimensional data



#### Configuration

The device must be configured as follows:

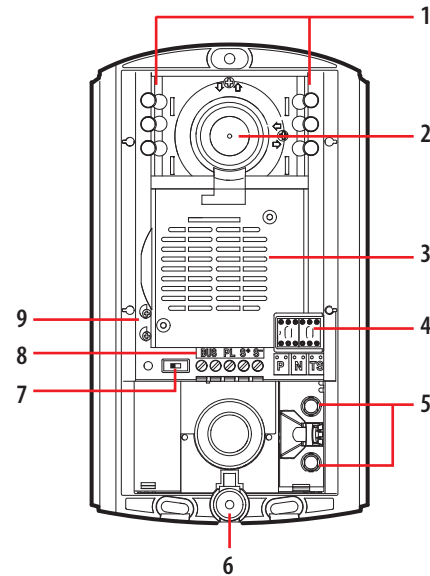
##### P - entrance panel number

The configurator in seat P of the speaker module assigns to it a recognition number inside the system. The numbering of the entrance panels must always start from P=0. The entrance panel configured with P=0 must be a common (or main) entrance panel.

##### N - call number

Assigns the correspondence between the entrance panel pushbuttons, and the audio or video handsets.

In common entrance panels made using pushbutton modules, 1 must be inserted in N of the speaker module. In secondary entrance panels, the number of the first riser handset must be inserted in N.



#### Legend

- 1 - White LEDs for the lighting of the camera shooting field
- 2 - Colour camera with slant adjustment horizontally and vertically by  $\pm 15^\circ$
- 3 - Loudspeaker
- 4 - Configurator socket
- 5 - Call keys
- 6 - Microphone
- 7 - Enabling/disabling of door lock release confirmation tone
- 8 - Clamps for BUS and door lock connection: the module allows to control an electric door lock directly connected to the clamps S+ S- (18 V 4 A impulsive - 250 mA holding current 30 Ohm max)
- 9 - Microphone and loudspeaker volume adjustment

#### T - door lock relay timing

| configurator number |        |        |        |              |        |        |         |
|---------------------|--------|--------|--------|--------------|--------|--------|---------|
| 0= No configurator  | 1      | 2      | 3      | 4*           | 5      | 6      | 7       |
| 4 sec.              | 1 sec. | 2 sec. | 3 sec. | as pushbutt. | 6 sec. | 8 sec. | 10 sec. |

\* **Operation as pushbutton for 10 sec. max.**, after which standby mode is activated. To extend operation time over 10 seconds, use actuator 346210 configured with MOD=5.

#### S - type of call signal

The configuration of S determines the call tone of handsets. One can thus differentiate the calls from different entrance panels.

For the Classe 100 and Classe 300 handsets, S associates the entrance panel to the bell programmed in the handset. It is possible to chose between 16 different preset bells.

For the SPRINT L2 handsets, S sets the call ringtone, according to the following table:

| Configurator | 0       | 1       | 2       | 3        |
|--------------|---------|---------|---------|----------|
| Type of bell | 2-tone  | 2-tone  | 2-tone  | One-tone |
|              | 1200 Hz | 1200 Hz | 1200 Hz | 1200 Hz  |
|              | 600 Hz  | 0 Hz    | 2400 Hz |          |

In one-family systems S=9 to configure the general call.