

SFERA NEW - SFERA ROBUR Audio video module

351200

Description

Audio/video module for the installation of 2 WIRE colour video systems. With Colour camera with 1/3" sensor and white LEDs for the lighting of the shooting field. Mist prevention heating resistance. Loudspeaker and Microphone volume adjustments. It can manage up to 98 pushbutton calls using the additional double row pushbutton modules. Horizontal and vertical camera position adjustment, +/- 10° in both directions. It offers the possibility of opening an electrical door lock directly connected to clamps S+ and S- (18 V 4 A impulsive - 250 mA holding current 30 Ohm max) and of connecting a local door lock release pushbutton on clamps PL. Preset for additional power supply. Fitted with front LEDs for the notification of the operating status: door lock release, communication active, call put through, and system busy. Integrated optic sensor for the switching on of the night backlighting. To be completed with surround plate. The device must be configured physically or using a PC with the specific software, which can be downloaded free of charge from www.homesystems-legrandgroup.com; this mode has the advantage of offering many more options when compared with the physical configuration.

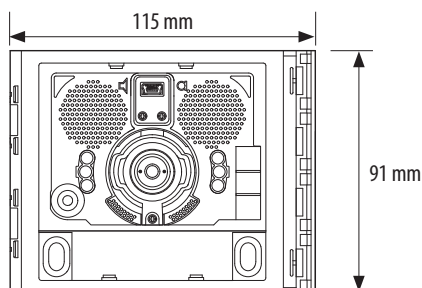
Related items

351201	Sfera New A/V front cover - Allmetal (IK 08)
351202	Sfera New A/V front cover - Allwhite (IK 08)
351203	Sfera New A/V front cover - Allstreet (IK 08)
351211	Sfera New A/V front cover, 1 pushbutton - Allmetal (IK 08)
351212	Sfera New A/V front cover, 1 pushbutton - Allwhite (IK 08)
351213	Sfera New A/V front cover, 1 pushbutton - Allstreet (IK 08)
351221	Sfera New A/V front cover, 2 pushbuttons on double column - Allmetal (IK 08)
351222	Sfera New A/V front cover, 2 pushbuttons on double column - Allwhite (IK 08)
351223	Sfera New A/V front cover, 2 pushbuttons on double column - Allstreet (IK 08)
351205	Sfera Robur A/V front cover (IK 10)
351215	Sfera Robur A/V front cover, 1 pushbutton (IK 10)
351225	Sfera Robur A/V front cover, 2 pushbuttons on double column (IK 10)

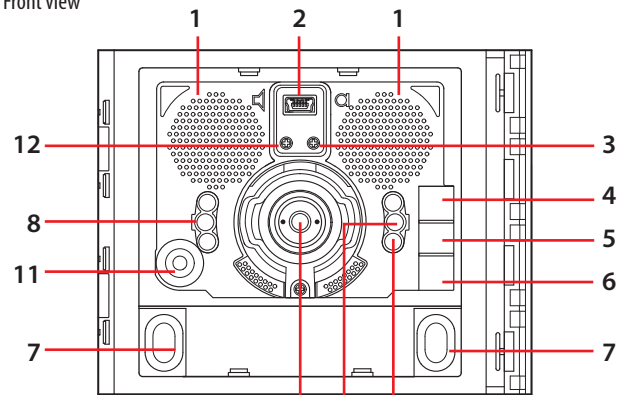
Technical data

Power supply from SCS BUS:	18 - 27 Vdc
Stand by absorption (with backlighting LEDs off):	15 mA
Stand by absorption (with backlighting LEDs on):	20 mA
Max. operating absorption:	140 mA
Colour sensor:	1/3"
Lens:	F2.5 f3.3 mm
Resolution:	330 TV lines (horizontal)
Illumination of the viewing field:	white LED
Brightness adjustment:	Automatic
Interlace:	2 : 1
Mist prevention heating resistance	
Operating temperature:	(-25) - (+70)°C
Protection index (pushbutton panel assembled):	IP 54

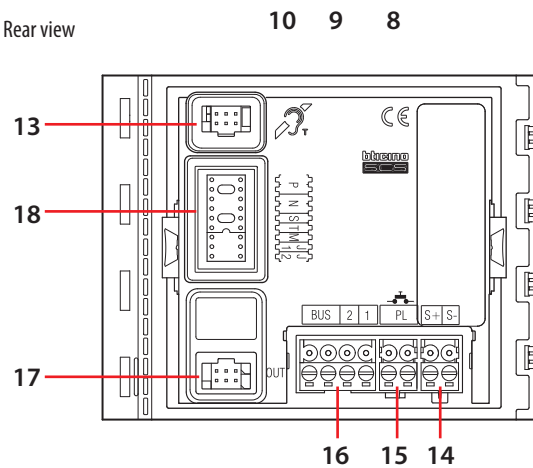
Dimensional data



Front view



Rear view



Legend

1. Loudspeaker
2. Mini-USB connector for the connection to the PC : download/upload the advanced configuration and device firmware update
3. Microphone volume adjustment
4. LED for door status notification. **GREEN ON = door open**
5. LED for communication status notification. **GREEN ON = active communication**
6. LED for system status notification. **GREEN ON = put through call**
RED ON = busy system
7. Call pushbuttons
8. White LEDs for night lighting of the shooting field
9. Light sensor for automatic switching on of the night backlighting
10. Colour camera
11. Microphone
12. Loudspeaker volume adjustment
13. Connector for the connection of the 352700 teleloop module
14. Plug-in clamps for the connection and control of the electrical door lock (18 V 4 A impulsive 250 mA holding current 30 ohm max)
15. Plug-in clamps for the connection of the local door lock release pushbutton
16. Plug-in clamps for the connection of the local power supply and the 2 WIRE SCS BUS
17. Connector for the connection to subsequent modules
18. Configurator socket

Configuration

The device must be configured. The configuration can be performed in two ways :

Mode 1 - with physical configurator connection

Mode 2 - using a PC with the specific software, which can be downloaded free of charge from www.homesystems-legrandgroup.com; this mode has the advantage of offering many more options when compared with the physical configuration.

Mode 1

Mod 1 requires the physical connection of the configurators to their sockets

P - entrance panel number

The configurator in socket P of the speaker module assigns to this a recognition number inside the system. The numbering of the entrance panels must always start from P=0. The entrance panel configured with P=0 must be a common (or main) entrance panel.

N - call number

Assigns the correspondence between the entrance panel pushbuttons and the audio handsets or video handsets.

In common entrance panels made using pushbutton modules, 1 must be inserted in N of the speaker module. The number of the first riser handset must be inserted in the local entrance panels.

S - type of call signal

The configuration of S determines the call tone of handsets.

One can thus differentiate the calls from different entrance panels.

For the Classe 100 and Classe 300 handsets, **S** associates the entrance panel to the bell programmed in the handset. It is possible to chose between 16 different preset bells.

For the SPRINT L2 handsets, **S** sets the call ringtone, according to the following table:

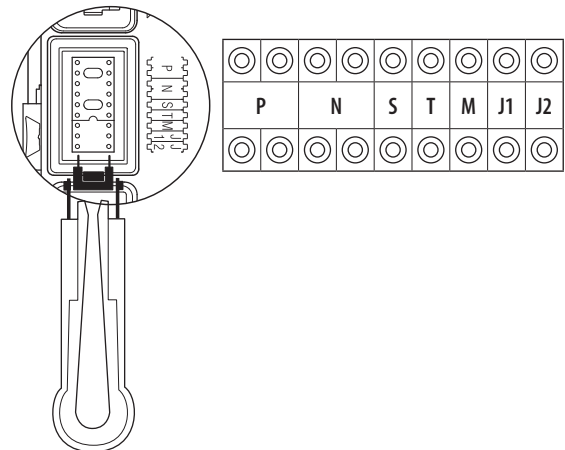
Configurator	0	1	2	3
Type of bell	2-tone	2-tone	2-tone	One-tone
	1200 Hz	1200 Hz	1200 Hz	1200 Hz
	600 Hz	0 Hz	2400 Hz	

In one-family systems S=9 to configure the general call.

T - door lock relay timing

Configurator number							
0=no configurator	1	2	3	4*	5	6	7
4 sec	1 sec	2 sec	3 sec	as pushbutt.	6 sec	8 sec	10 sec

*Operation as pushbutton for 10 sec. max, after which standby mode is activated. To extend operation time over 10 seconds, use actuator item 346210 configured with MOD=5.



M - enabling/disabling of call tones, door lock release tones night lighting management always ON

The M configurations gives the possibility of managing the entrance panel call and door lock release tones . It also gives the possibility of enabling night backlighting always ON (light sensor disabled) according to the following table:

Configurator	M=0	M=1	M=2	M=3
Tone status	All tones enabled	Door lock tone disabled	Call tone disabled	All tones disabled

Configurator	M=4	M=5	M=6	M=7
Night backlighting status	All tones enabled + backlighting always ON	Door lock tone disabled + backlighting always ON	Call tone disabled + backlighting always ON	All tones disabled + backlighting always ON

J1 - activation of call pushbutton columns

The J1 configurator gives the possibility of managing the Call pushbuttons of the speaker module as follows:

J1 CONNECTED = Only the right pushbutton column is enabled

J1 DISCONNECTED = Both pushbutton columns are enabled (right + left)

J2 - additional EP power supply

Configurator J2 gives the possibility of enabling the additional power supply (1-2) of the speaker module in the following mode :

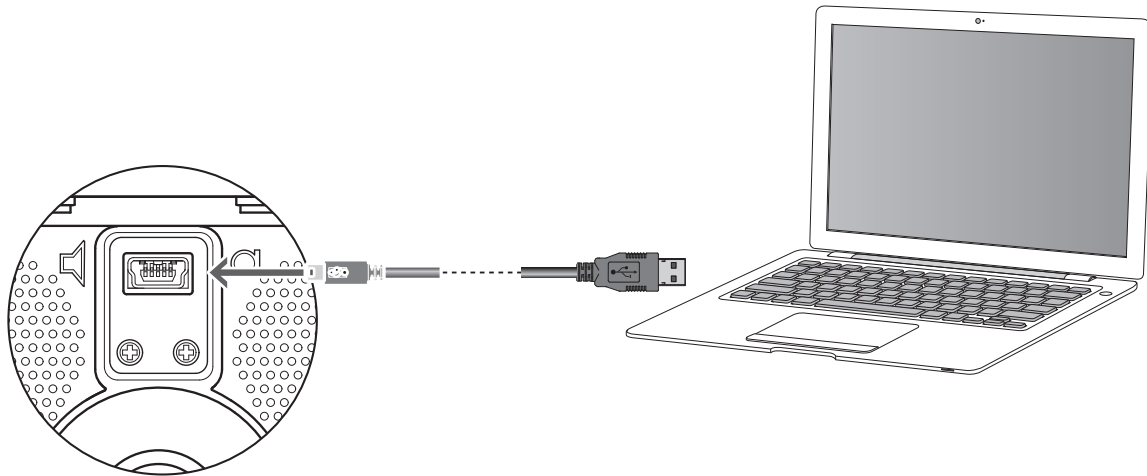
J2 CONNECTED = Additional power supply disabled

J2 DISCONNECTED = Additional power supply enabled

CONFIGURATION - Mode 2

Mode 2 requires advanced configuration of the device, performed using a PC and the specific software, which can be downloaded free of charge from www.homesystems-legrandgroup.com; this mode has the advantage of offering many more options when compared with the physical configuration.

For the connection to the PC use a USB - mini USB cable. The software gives the possibility of configuring, programming, and updating the firmware of the speaker module.



Warning: In order to correctly send the configuration to the device, jumper (J1) must be removed. Also ensure that there are no configurators connected to the socket on the back of the module.

Camera shooting field

