

**Description**

Power supply for 2 WIRE system in 6 DIN modular enclosure. Power supply 110 – 240 Vac @ 50 – 60 Hz. The output provides two power supplies in very low safety voltage (one on the 3 TK BUS, IU BUS and SCS clamps, one on the 1 - 2 clamp) to be used alternately and NOT at the same time.

To be used in audio, video or mixed audio video systems. The video adapter is integrated in the device (item 346830 must not be used). It is therefore possible to avoid the use of the A/V node (F441) or the Multi-channel Matrix (F441M), if three junctions (MAX 2 IU + 1 TK risers or 1 IU + MAX 2 TK risers) are not exceeded in total from the clamps. The device also enables the power supply of sound systems.

It can also be used as additional power supply (1 - 2 output) for the local power supply of the preset internal units or entrance panels (in this case it is not possible to use other outputs).

The device is electronically protected against overload and short circuit.

It is a SELV double insulation safety device. The installation must be made in compliance with current regulations. The device must not be configured. The DIN switchboard must be suitable for the overall power of the installed devices.

**WARNING:** the (IU BUS), (TK BUS) and (SCS) outputs can be used at the same time respecting the total maximum absorption of 1.2 A.

**WARNING:** Disconnect the power supply for 5 minutes after overload or short circuit.

**Technical data****PRI (AC power supply input)**

Rated voltages:	110 – 240 V
Rated currents:	730 – 400 mA
Operating frequency range:	50 – 60 Hz
Power consumption - full load:	40 W max
Power consumption:	8 W max
Full load efficiency:	80 % typ.
Stand by power:	< 1W
Operating temperature:	(-10) – (+55) °C
Integrated fuse (PRI side):	F1 T 3,15A 250 V

**TK BUS, IU BUS, SCS**

Rated voltage:	27 Vdc
Rated current:	1,2 A
Rated power:	32,4 W

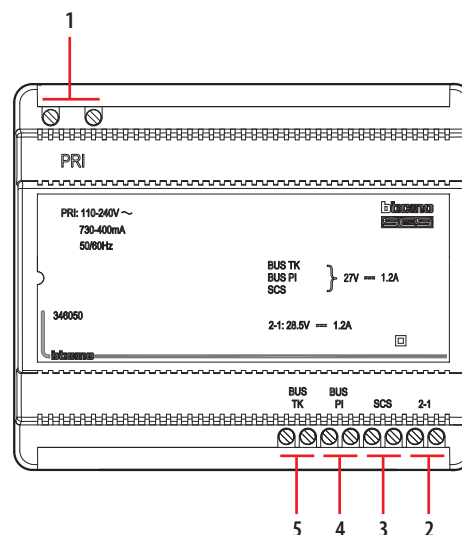
**1-2**

Rated voltage:	28,5 Vdc
Rated current:	1,2 A
Rated power:	34,2 W

**Dimensional data**

Size: 6 DIN modules

Front view

**Legend**

1. Input connection clamps 230 V
2. Additional power supply connection clamps (1 - 2)  
Audio entrance panels
3. SCS output connection clamps  
Video entrance panels; interfaces 346850 or 346851
4. IU BUS output connection clamps  
Internal units; interfaces 346850 or 346851
5. TK BUS output connection clamps  
Video entrance panels; interfaces 346850 or 346851

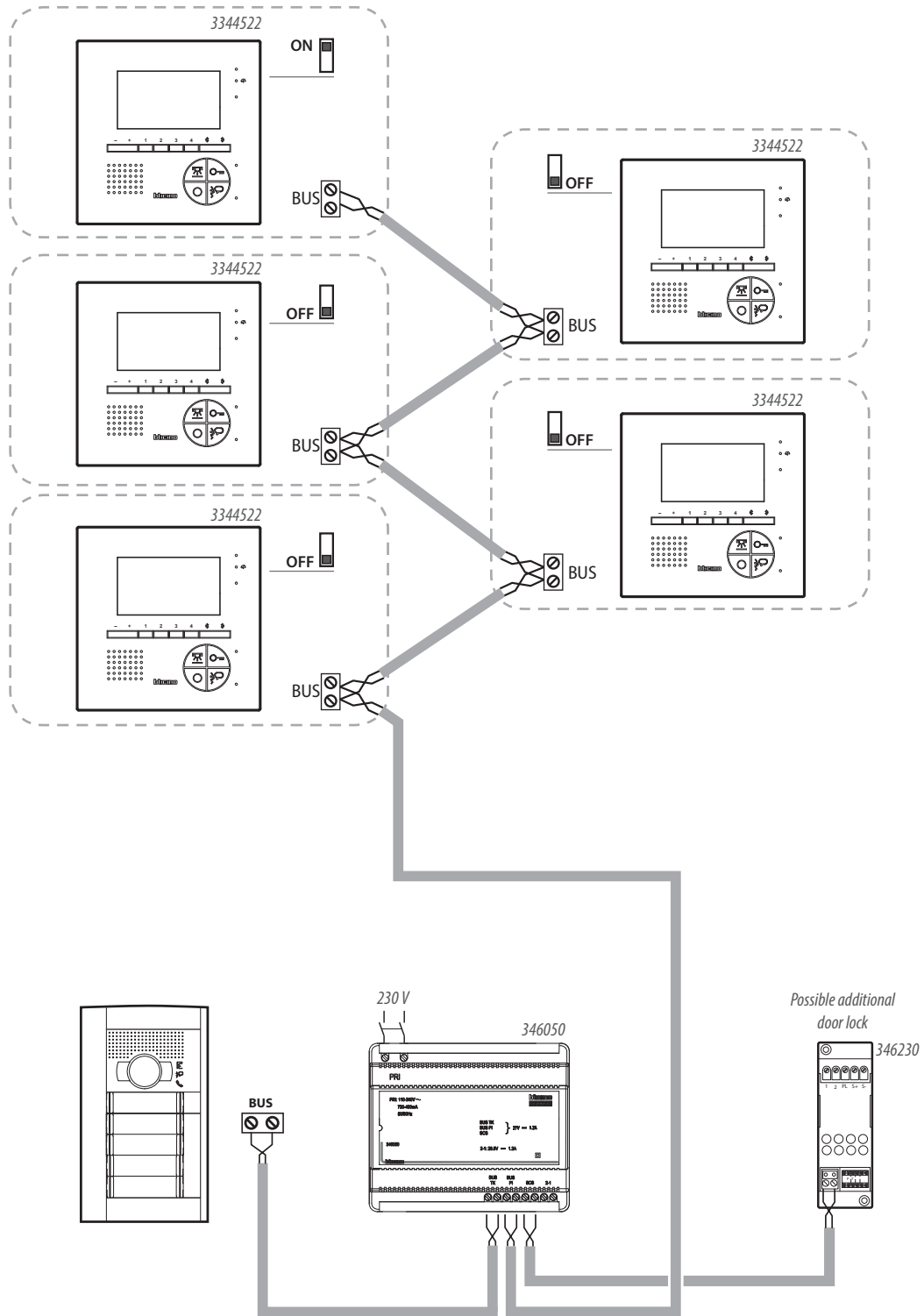
**Installation**

Respect the following rules:

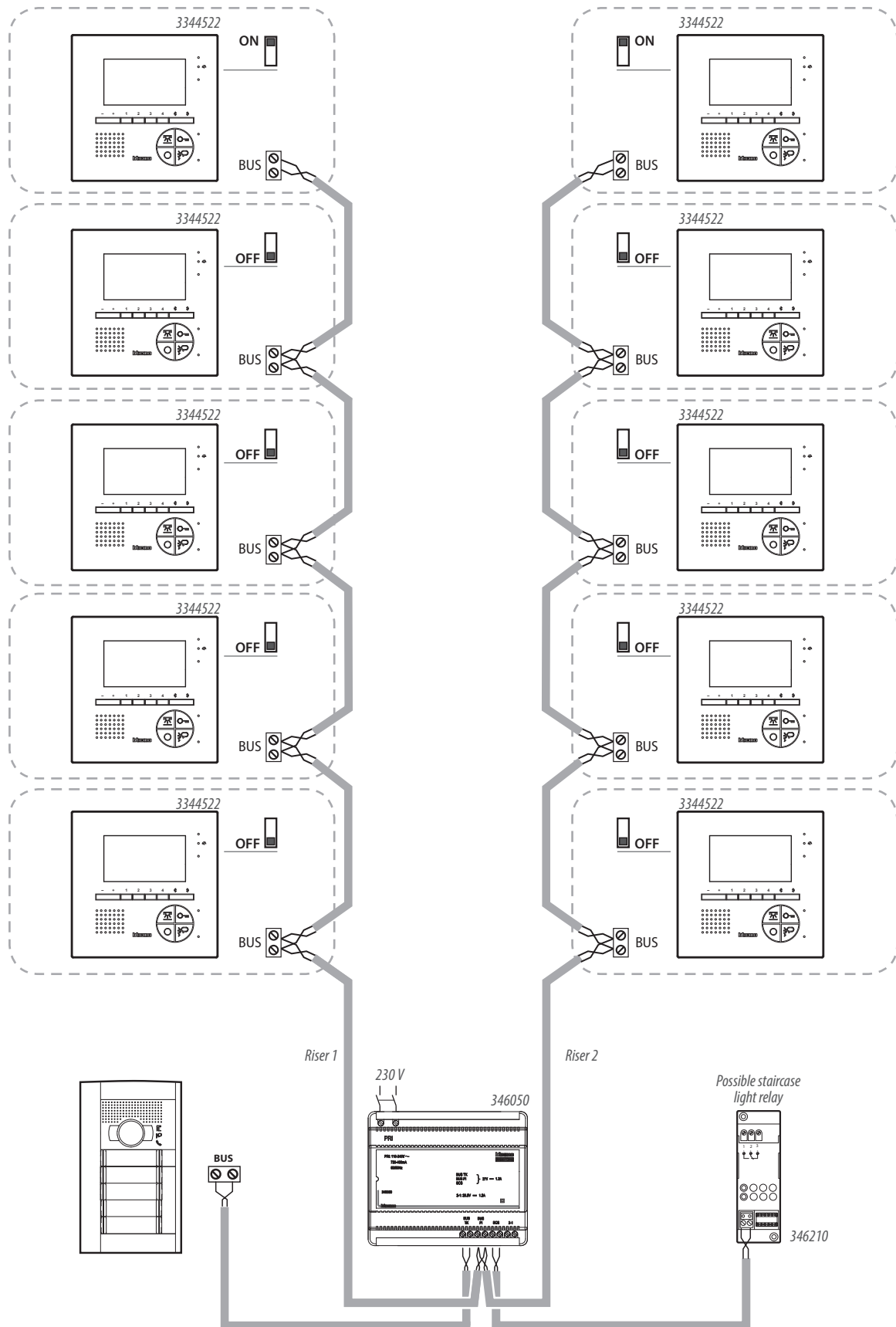
- The power supply **MUST** be always installed in appropriate housings
- It must **NOT** be exposed to water drops or splashes
- Do **NOT** block the ventilation openings
- A two-pole circuit breaker **MUST** be installed, with contact separation of at least 3 mm located nearby the power supply. The circuit breaker is used to disconnect the power supply from the mains, and to protect it.

Wiring diagrams

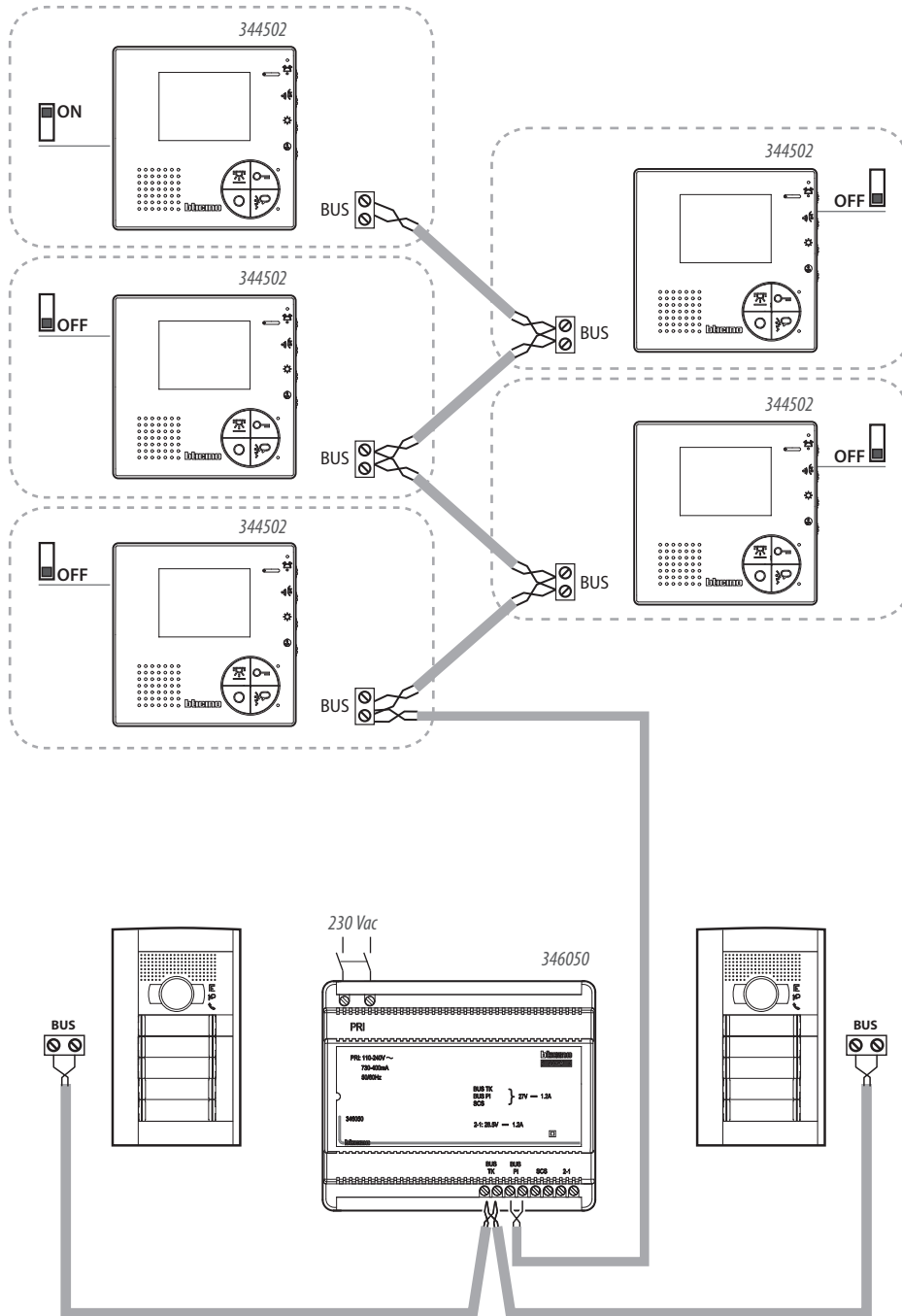
Wiring diagram with 1 entrance panel + 1 internal unit riser



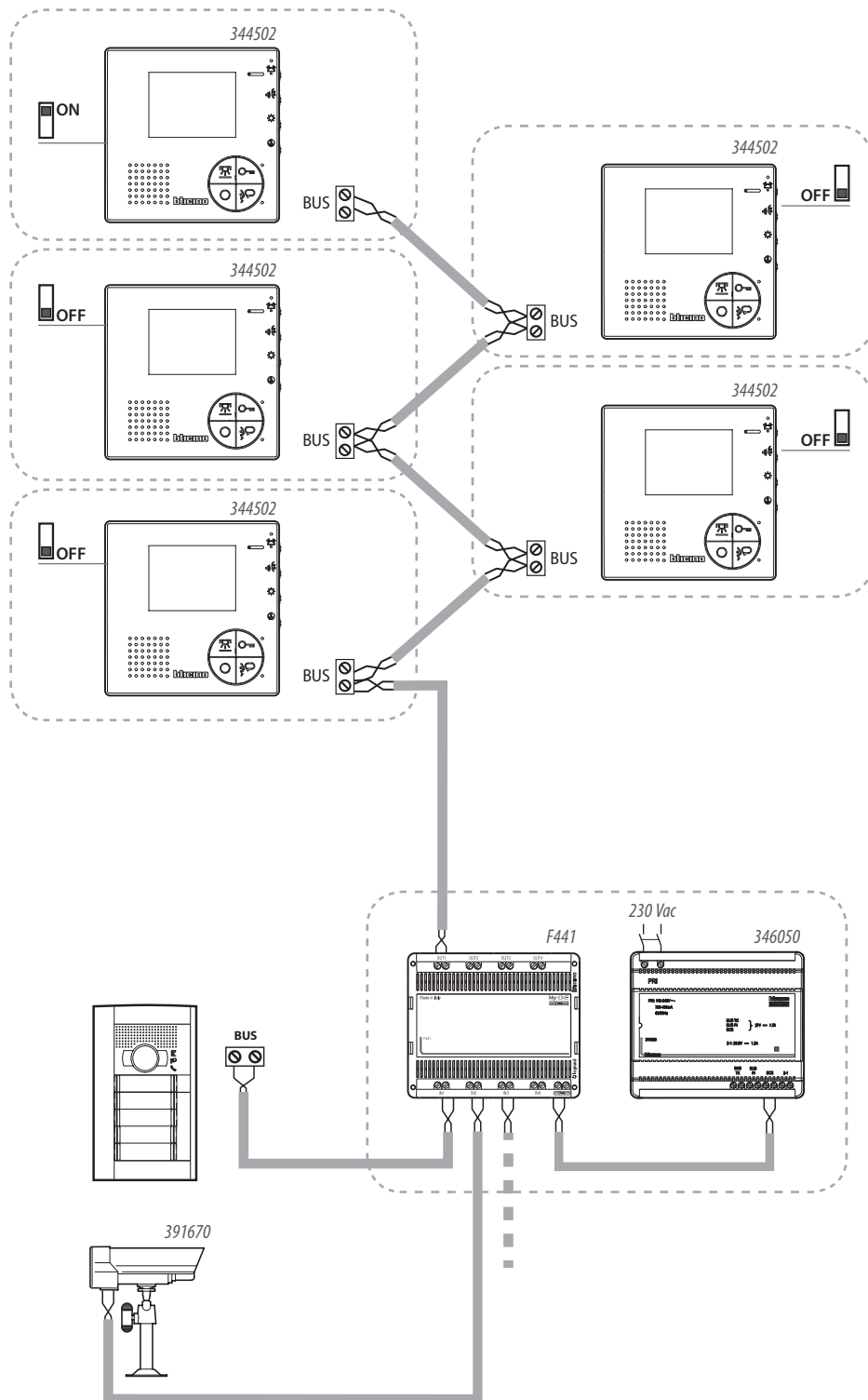
Wiring diagram with 1 entrance panel + 2 internal unit risers



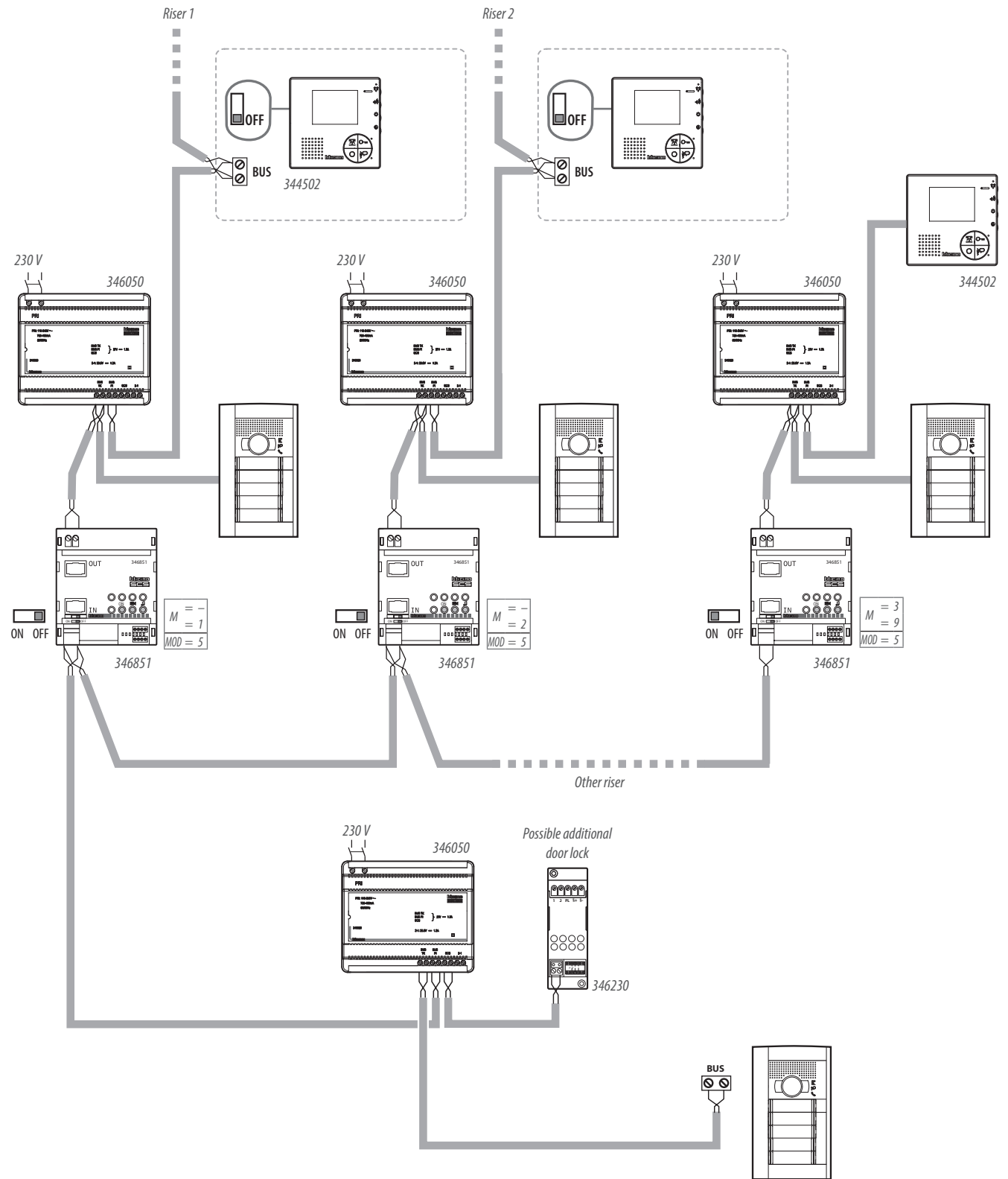
Wiring diagram with 2 entrance panels + 1 internal unit riser



Wiring diagram with audio video node



Complex wiring diagram



Wiring diagram with 346891

