

Het fabrieksschema, dat u zoekt, staat op de volgende pagina.



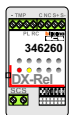
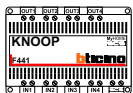
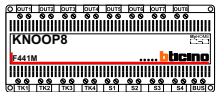
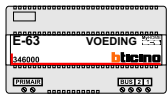
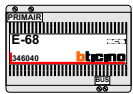
Groothandel Nelec heeft voor alle tweedraads deurcommunicatie van BTicino zeer duidelijke Nederlandse schema's en gebruiksaanwijzingen gemaakt. U vindt alles op www.nelec.com.



Als u BTicino deurcommunicatie koopt bij Nelec, krijgt u voor ieder project een aansluitschema op maat, worden de buitenposten in elkaar gezet en zijn alle videofoons voorgeprogrammeerd. De monteur kan direct aan de slag en als hij een vraag heeft, krijgt hij bij Nelec iemand met verstand van zaken aan de lijn. Alle informatie staat duidelijk op www.nelec.com.



Klik op deze pagina voor meer informatie over dit product.



nelec

INTERCOM MADE EASY



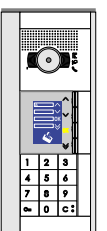
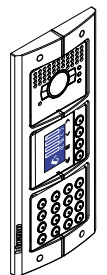
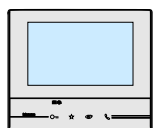
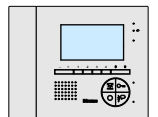
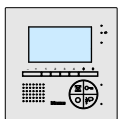
The Bticino factory file you're looking for is on the next page.

Specialized wholesaler Nelec has made excellent manuals in Dutch for all BTicino two-wire intercom components. Get more information on this product by clicking this page.

wholesaler **Nelec BV**
 intercom made easy
www.nelec.com
 Gyroscopweg 106
 1042 AX Amsterdam
 Postbus 20674
 1001 NR Amsterdam

e-mail info@nelec.com

Telefoon	020-6 352 350
Verkoop	020-6 352 351
Administratie	020-6 352 352
Techniek	020-6 352 353
Offertes	020-6 352 357



LINEA 3000

Colour video entrance panel with wide angle camera

343081

Description

2 WIRE wall-mounted pushbutton panel with zamak front cover and wide angle colour camera. White LEDs for the lighting of the shooting field in low light conditions. Can be configured for one-family or two-family installations. Can open an electrical door lock directly connected between S+ and S- clamps (18 V 4 A impulsive, 250 mA holding current, 30 Ohm max). Nameplate lit by white LED.

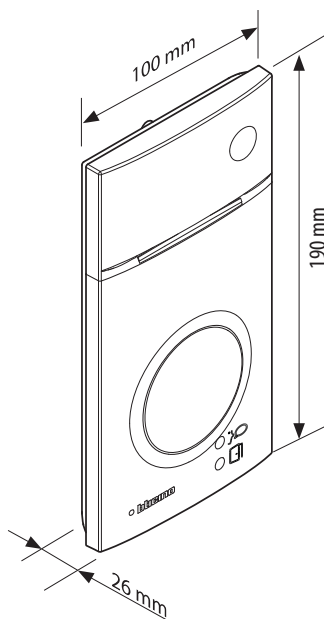
Correlated devices

BT-343051 Rainshield
 BT-343061 Flush mounted accessory
 BT-350020 2-module flush mounted box

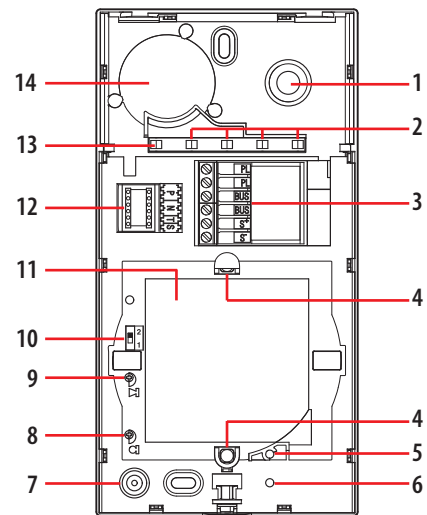
Technical data

Power supply from SCS BUS:	18 - 27 Vdc
Stand by absorption (with backlighting LEDs off):	15 mA
Stand by absorption (with backlighting LEDs on):	25 mA
Max. operating absorption:	245 mA
Colour sensor:	1/3"
Lens:	F 2,35 mm f 2,2
Viewing angle:	~ 110° on the diagonal
Resolution:	330 linee TTV lines (horizontal)
Viewing field lighting:	White LEDs
Brightness adjustment:	Automatic
Interlace:	2:1
Operating temperature:	(-25) - (+70) °C
Protection index:	IP 54
Protection index against mechanical impact:	IK 10

Dimensional data



Front view without panel

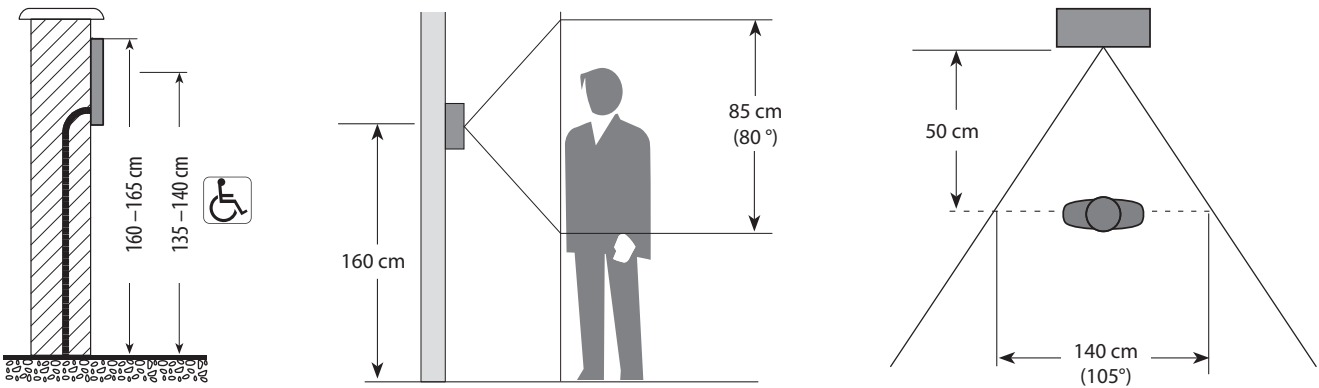


Legend

1. Camera
2. LED for the shooting field lighting
3. BUS connection clamps, door lock and local door release pushbutton
4. Call pushbuttons
5. Active connection notification LED
6. Open door notification LED
7. Microphone
8. Microphone volume adjustment
9. Loudspeaker volume adjustment
10. Switch
 - 1=one-family
 - 2=two-family
11. LED panel for call pushbutton lighting
12. Configurator socket
13. Brightness sensor for automatic activation of the night lighting
14. Loudspeaker

Installation and camera shooting range

The camera must not be installed in front of large light sources, or in places where the subject viewed remains in deep shadow. In poor lighting conditions cameras with colour are less sensitive than black/white cameras. An extra lighting source should be added in poorly lit rooms.



Configuration

The device must be (only physically) configured as follows:

P - entrance panel number

The configurator connected to the P housings of the speaker module assigns to the same an identification number within the system.

The numbering of the entrance panels must always start from P=0.

The entrance panel configured with P=0 must be a common (or main) entrance panel.

N - call number

Assigns the correspondence between the entrance panel pushbuttons and the audio handsets or video handsets. In the common entrance panels made with pushbutton modules, 1 must be inserted in N of the speaker module. The number of the first riser handset must be inserted in the local entrance panels in N.

T - door lock relay timing

configurator number							
0= No configurator	1	2	3	4*	5	6	7
4 sec.	1 sec.	2 sec.	3 sec.	pushbutt	6 sec.	8 sec.	10 sec.

* **Operation as pushbutton for 10 sec. max.**, after which standby mode is activated. To extend operation time over 10 seconds, use actuator 346210 configured with MOD=5.

S - type of call signal

S configuration sets the internal unit call tone and the enabling/disabling of the door lock release notification tone generated by the entrance panel.

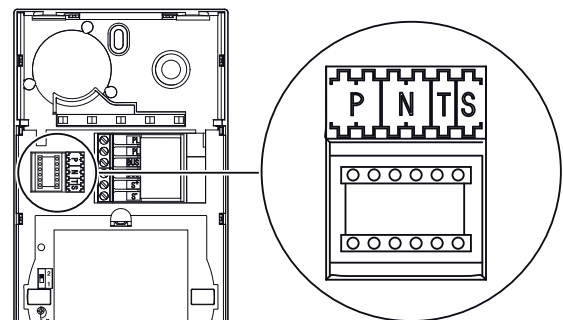
One can thus differentiate the calls from different entrance panels.

Table (with door lock tone enabled) for Sprint L2 internal unit call signal

Configurator	0	1	2	3
Type of bell	2-tone	2-tone	2-tone	One-tone
	1200Hz	1200Hz	1200Hz	1200Hz
	600Hz	0 Hz	2400Hz	

Table (with door lock tone disabled) for Sprint L2 internal unit call signal

Configurator	4	5	6	7
Type of bell	2-tone	2-tone	2-tone	One-tone
	1200Hz	1200Hz	1200Hz	1200Hz
	600Hz	0 Hz	2400Hz	



For the Classe 100 and Classe 300 internal units, the S configurator associates the entrance panel to the bell programmed in the internal unit.

Configurator	0	1	2	3	Door lock tone enabled
Configurator	4	5	6	7	Door lock tone disabled

In one-family systems S= 9 (door lock tone enabled) or S= 8 (door lock tone disabled) configure the General Call and make the internal unit ring, as with S= 0 or S= 4