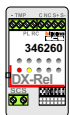
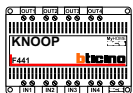
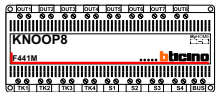
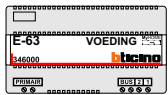


Het fabrieksschema, dat u zoekt, staat op de volgende pagina.



Groothandel Nelec heeft voor alle tweedraads deurcommunicatie van BTicino zeer duidelijke Nederlandse schema's en gebruiksaanwijzingen gemaakt. U vindt alles op www.nelec.com. Als u BTicino deurcommunicatie koopt bij Nelec, krijgt u voor ieder project een aansluitschema op maat, worden de buitenposten in elkaar gezet en zijn alle videofoons voorgeprogrammeerd. De monteur kan direct aan de slag en als hij een vraag heeft, krijgt hij bij Nelec iemand met verstand van zaken aan de lijn. Alle informatie staat duidelijk op www.nelec.com.

Klik op deze pagina voor meer informatie over dit product.



nelec
INTERCOM MADE EASY



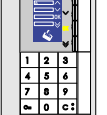
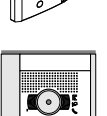
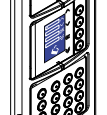
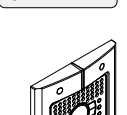
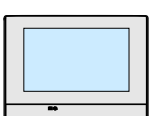
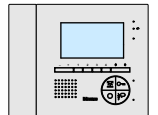
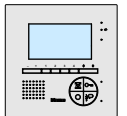
The Bticino factory file you're looking for is on the next page.

Specialized wholesaler Nelec has made excellent manuals in Dutch for all BTicino two-wire intercom components. Get more information on this product by clicking this page.

wholesaler Nelec BV
intercom made easy
www.nelec.com
Gyroscoopweg 106
1042 AX Amsterdam
Postbus 20674
1001 NR Amsterdam

e-mail info@nelec.com

Telefoon 020-6 352 350
Verkoop 020-6 352 351
Administratie 020-6 352 352
Techniek 020-6 352 353
Offertes 020-6 352 357



SPRINT L2
Handset with floor call

344232

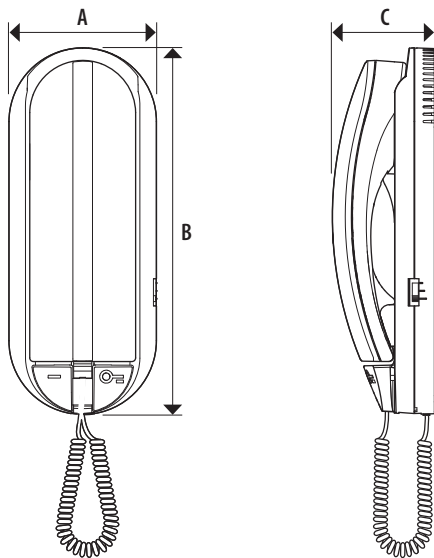
Description

2 WIRE handset that CANNOT be fitted with accessories, wall mounted. It has a door lock release pushbutton, and a pushbutton that can be configured for auxiliary functions (staircase light switching on, entrance panel activation, call to the switchboard). Supplied with clamps for the connection of an external floor call pushbutton. If installed in video, or mixed audio/video systems, as the last apartment line or riser device, it must include a line termination, item 3499, with IN-OUT connection on the handset itself. The ringtone volume can be adjusted to three different levels using the appropriate selector.

Technical data

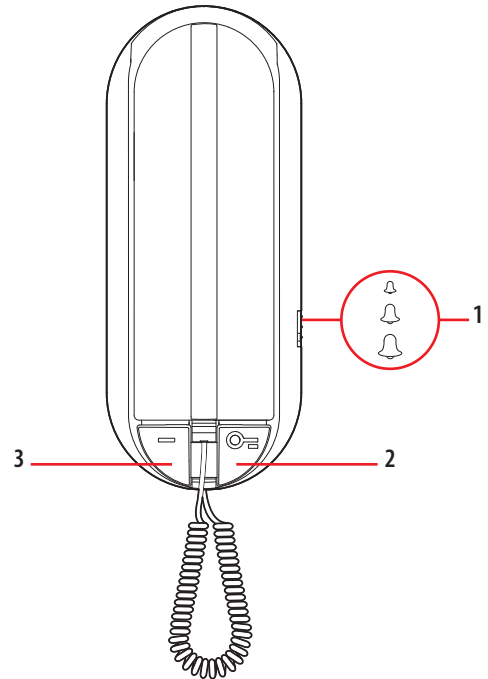
Power supply from SCS BUS: 18 – 27 Vdc
 Stand by absorption: 3.5 mA
 Max. operating absorption: 35 mA
 Operating temperature: 5 – 40 °C

Dimensional data

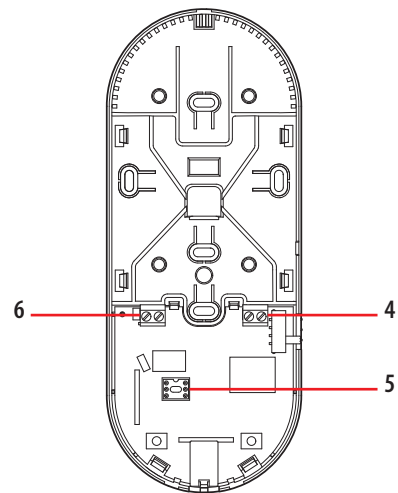


A	B	C
78 mm	194 mm	54,5 mm

Front view



View without lid



Legend

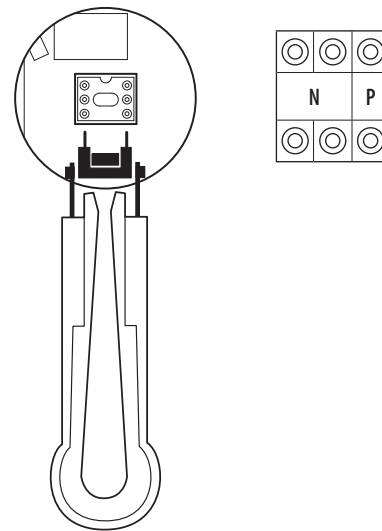
1. Ringtone volume selector, adjustable to three different levels
2. Door lock release pushbutton
3. Auxiliary function pushbutton (configurable) - see configuration
4. Clamps for the connection of the Floor Call pushbutton
5. Configurator socket
6. 2 WIRE SCS/BUS connection clamps

Configuration

The handset **MUST** be configured by physically connecting the configurators to the appropriate sockets as follows:

N - handset number

The N configurator assigns to each handset an identification number (1 - 99) within the system. The handsets must be configured in progressive order. In case of handsets with parallel connection (max 3), these must be configured using the same N configurator.



P - auxiliary function pushbutton

The configurator connected to P allocates the operating mode to the auxiliary function pushbutton, as shown below:

(P = 0 no configurator connected) - **staircase light switching on/activation of the additional door lock**

(P = 1 – 8) - **activation of the entrance panel configured with P = 1-8**

(P = 9) - **entrance panel activation configured with P = 0 (corresponds to no configurator connected) or call to the main switchboard.**

