

SFERA NEW - SFERA ROBUR
Badge reader module

353200

Description

RFID badge reader module for the release of the door lock by swiping the badge. It manages up to 20000 badges (Mifare Classic 1K). It's fitted with relay contacts (C – NO - NC) and clamps (CP - P1 - P2) for the connection of a local door release pushbutton. The badge for the release of the door lock can be programmed from the module itself, or using a PC after downloading the module programming file.

It also has a programming reset pushbutton and LEDS for the visual notification of the access status. Night backlighting by LEDs. To be completed with surround plate. It is connected to the other modules using the appropriate multicable supplied. The device may also be used as a stand alone unit with independent power supply and operation.

Configuration performed using physical configurators, or a PC with the specific software, which can be downloaded free of charge from www.homesystems-legrandgroup.com.

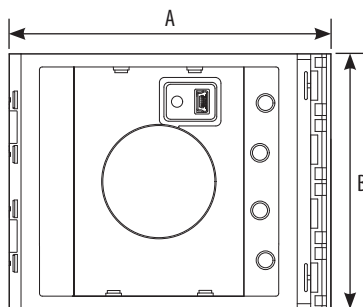
Related items

- 353201 Sfera New badge reader front cover - Allmetal (IK 08)
- 353202 Sfera New badge reader front cover - Allwhite (IK 08)
- 353203 Sfera New badge reader front cover - Allstreet (IK 08)
- 353205 Sfera Robur badge reader front cover - (IK 09)
- 348200 badge - black
- 348201 badge - red
- 348202 badge - green
- 348203 badge - blue
- 348204 badge - orange
- 348205 badge - grey
- 348206 badge - yellow
- 348208 badge - beige

Technical data

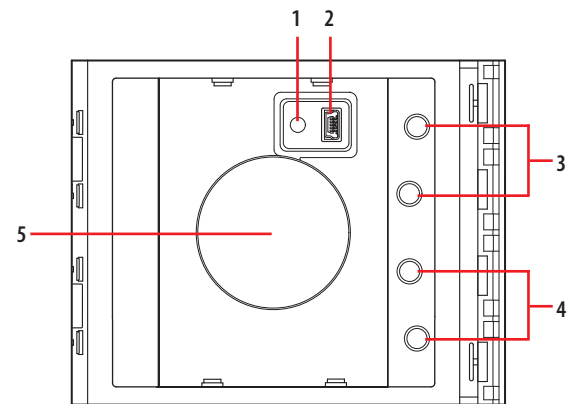
Power supply from SCS BUS:	18 – 27 Vdc
Stand by absorption (with backlighting LEDs off):	75 mA
Stand by absorption (with backlighting LEDs on):	85 mA
Max. operating absorption:	105 mA
Operating temperature:	(-25) – (+70) °C
Protection index (pushbutton panel assembled):	IP 54

Dimensional data

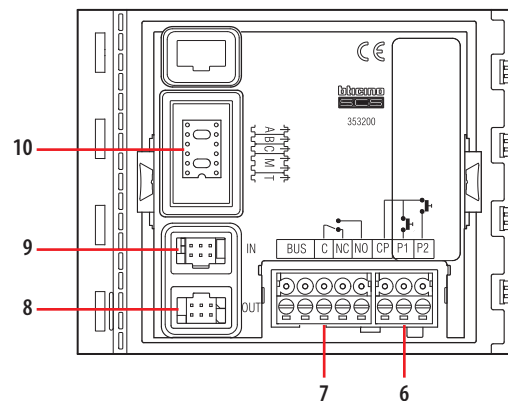


A	B
115 mm	91 mm

Front view



Rear view



Legend

1. RESET pushbutton
2. Mini-USB connector for the connection to the PC : programming and device firmware update
3. Red LED for access status notification. Red LED ON = access denied
4. Green LED for access status notification. Green LED ON = access granted
5. Antenna
6. Plug-in clamps (CP - P1 - P2) for the connection of an additional pushbutton and tamper
7. Plug-in clamps (C – NC – NO) for local relay contacts and connection to the 2 WIRE SCS BUS
8. Connector for the connection to subsequent modules
9. Connector for the connection to previous modules
10. Configurator socket

Configuration

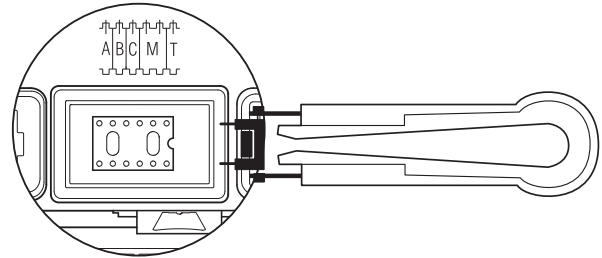
The configuration of the device is different depending on the type of installation:

- Device installation inside a SFERA NEW pushbutton panel in 2 WIRE SCS systems,
- Device installation inside a SFERA NEW pushbutton panel in access control systems (French market only)
- Installation as STAND ALONE device

In every case, the configuration can be performed in two ways:

Mode 1 - with physical configurator connection

Mode 2 - with PC and software



Mode 1

Mod 1 requires the physical connection of the configurators to their sockets.

PHYSICAL CONFIGURATION FOR INSTALLATION WITH A SFERA NEW EP:

(Local saving of the badges)

A + B + C - NOT USED

M - Operating mode, badges management

The configurator connected to the M socket sets the badges management mode as indicated below:

M = 0 - Management of badges with manager MASTER ONLY

The MANAGER MASTER badges (max. 20) are used both for the management of PASSEPARTOUT badges (max. 100) and for the management of the RESIDENTS max (max. 5) of each apartment.

M = 1 - Badge management with APARTMENT MASTER

The MANAGER MASTER badges (max. 20) directly manage the PASSPARTOUT badges (max. 100) and the APARTMENT MASTER badges (max. 4000); the APARTMENT MASTER badges manage the RESIDENTS badges (max. 5) of the corresponding apartment.

T - Local relay time delay – NOT USED

(the time delay of the local relay is set by the T configurator connected to the speaker module or audio video module used)

PHYSICAL CONFIGURATION IN STAND ALONE INSTALLATION:

(Local saving of the badges)

A + B + C - Progressive address of the device

The configurators connected to the A B C sockets assign a progressive address to the device inside the system (range 000 – 999).

Example: A+B+C = 003 – device 003 of the system.

M - Operating mode, badges management

The configurator connected to the M socket sets the badges management mode as indicated below:

M = 0 - Management of badges with MANAGER MASTER ONLY

The MANAGER MASTER badges (max. 20) are used both for the management of PASSEPARTOUT badges (MAX. 100) and for the management of the RESIDENTS badges (max. 5) of each apartment.

M = 1 - Badges management with APARTMENT MASTER

The MANAGER MASTER badges (max. 20) directly manage the PASSPARTOUT badges (max. 100) and the APARTMENT MASTER badges (max. 4000); the APARTMENT MASTER badges manage the RESIDENTS badges (max. 5) of the corresponding apartment.

T – Local relay time delay

The configurator connected to T sets the relay closing time delay as shown in the following table:

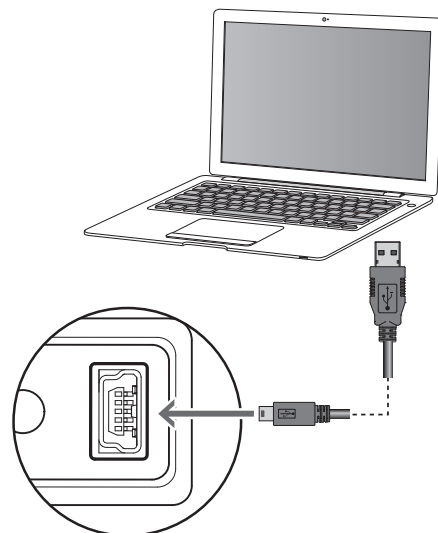
Configurator	0 none	1	2	3	4	5	6	7
Contact closing time	4"	1"	10"	20"	40"	1'	1,5'	3'

Mode 2

Mode 2 requires advanced configuration of the device, performed using a PC and the specific software, which can be downloaded free of charge from the site: www.homesystems-legrandgroup.com.

For the connection to the PC use a USB - mini USB cable. The software gives the possibility of configuring, programming, and updating the firmware of the module.

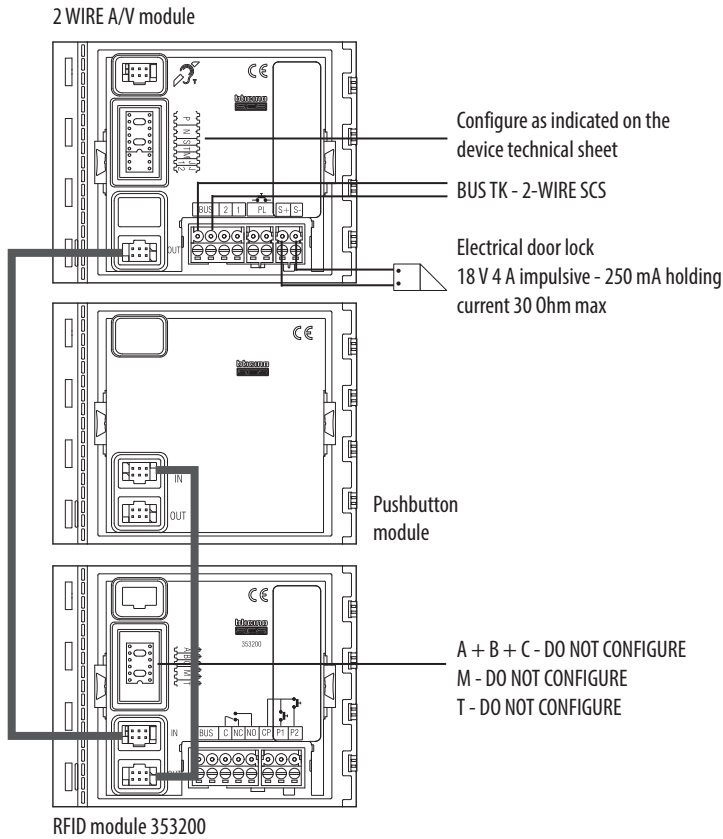
The presence of the mini USB connection of the front of the module gives the possibility of performing these operations without the need to disassemble the device.



Wiring diagram

Wiring diagram- Installation with SFERA NEW EP

Example of installation of the RFID module inside a 2 WIRE SFERA NEW pushbutton panel with SCS BUS NOT CONNECTED to the RFID module

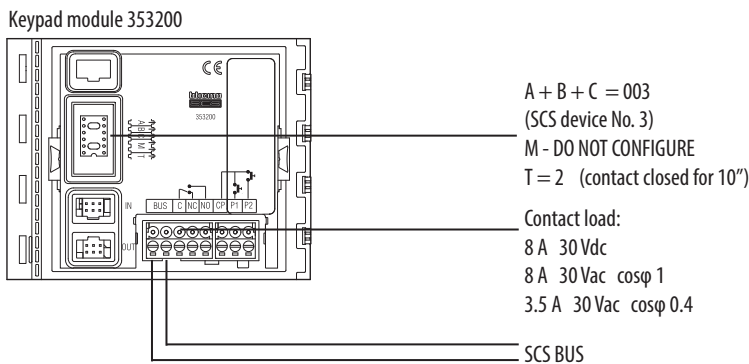


ATTENZIONE: indipendentemente dalla posizione dei moduli new SFERA, il modulo RFID deve essere collegato al modulo fonico evoluto oppure al modulo audio video come PRIMO DISPOSITIVO. Eventuali altri moduli (es. pulsanti) devono essere collegati dopo il modulo RFID.

NOTE: the M = 0 configuration (no configurator connected), only enables management of RESIDENTS badges. To add and/or delete residents badges, the badge programmed as MANAGER MASTER badge is required.

Wiring diagram- STAND ALONE installation

Example of STAND ALONE installation connection with the SCS BUS connected to the RFID module.



NOTE: The M = 1 configuration also gives the possibility of managing APARTMENT MASTER badges. To add residents badges, the badge programmed as APARTMENT MASTER badge is required. Use the configuration software to delete the resident key cards.