

Universal speaker unit and pushbutton expansion

346994

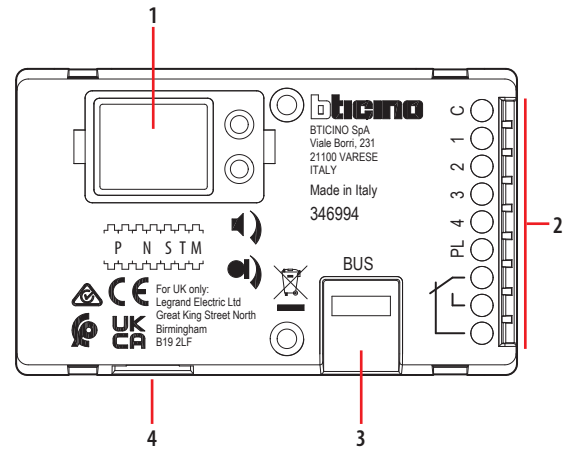
Description

The universal speaker unit with built-in relay (to control an electrical door lock) can be used to install the 2 WIRE audio system in new or refurbished systems, where "special" pushbutton panels are present or required (mail boxes, patterned brass, compact sheet metal units, etc.), preset for a traditional speaker module (e.g. 2659N). The universal speaker unit is equipped with clamps for connecting 4 call pushbuttons and 1 local door release pushbutton. In systems with more than 4 call pushbuttons, it will be necessary to add item 346993, 1 for ever 8 pushbuttons (max. 100 pushbuttons); the multi-cable with 2 connectors supplied with item 346993 must be used for the connection.

Microphone sensitivity and speaker volume adjustment using dedicated potentiometers. The microphone of the speaker unit can be detached from the device and placed at a distance of 15 cm. (max.).

In video systems, the device must be coupled with cameras with coaxial output using interface 347400.

Front view



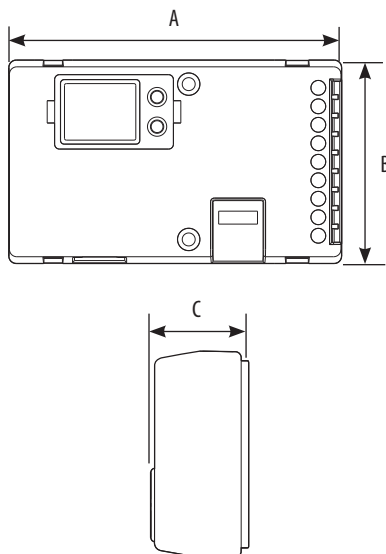
Legend

1. Configurator socket
2. Connection clamps:
C = common pushbuttons
1 – 4 = Connection of call pushbuttons
PL = Local door release pushbutton
 = Clamps for the connection of the electrical door lock
3. Clamps for the connection of the 2 WIRE BUS
4. 346993 connector socket

Technical data

Power supply from SCS BUS:	18 – 27 Vdc
Max. operating absorption:	50 mA
Stand by absorption:	15 mA
Operating temperature:	(-25) – (+70)°C
Relay contact output:	2A, 30 Vdc, cosφ 0

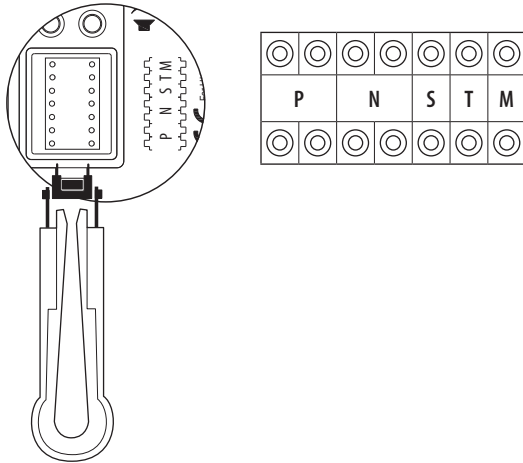
Dimensional data



A	B	C
90 mm	55 mm	26 mm

Configuration

The device must be configured with physical configurator connection to the appropriate sockets as follows:



P - Entrance panel number

The configurator in socket P of the speaker module assigns to this a recognition number inside the system. The numbering of the entrance panels must always start from P=0. The entrance panel configured with P=0 must be a common (or main) entrance panel.

N- call number

Assigns the correspondence between the entrance panel pushbuttons and the audio handsets or video handsets. In common entrance panels made using pushbutton modules, 1 must be inserted in N of the speaker module. The number of the first riser handset must be inserted in the local entrance panels.

S - type of call signal

The configuration of S determines the call tone of handsets. One can thus differentiate the calls from different entrance panels.

For the SPRINT L2 handsets, S sets the call ringtone, according to the following table:

Configurator	0	1	2	3
Type of bell	2-tone	2-tone	2-tone	One-tone
	1200 Hz	1200 Hz	1200 Hz	1200 Hz
	600 Hz	0 Hz	2400 Hz	

With all the other IUs, S associates the entrance panel to the ringtone programmed in the IU and chosen from the pre-installed ones.

In one-family systems S=9 to configure the general call.

T - door lock relay timing

Configurator	0 = no configurator	1	2	3	4*	5	6	7
	4 sec.	1 sec.	2 sec.	3 sec.	as pushbutt.	6 sec.	8 sec.	10 sec.

*Operation as pushbutton for 10 sec. max after which it goes in stand-by.

In order to extend this type of operation over 10 seconds, use the actuator, item 346210 configured with MOD = 5.

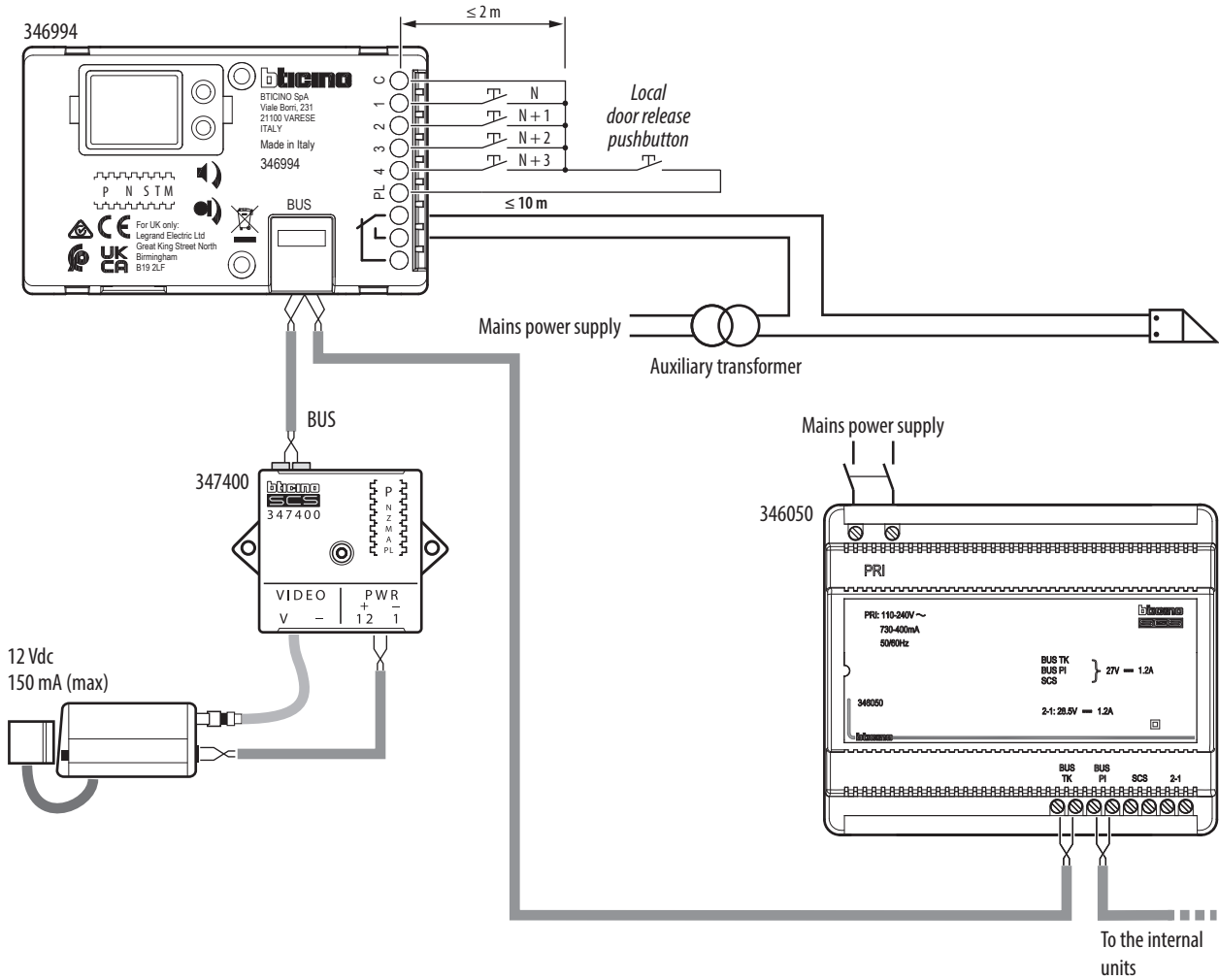
M - enabling/disabling of call tones and door lock release tones

The M configurations gives the possibility of managing the entrance panel call and door lock release tones according to the following table:

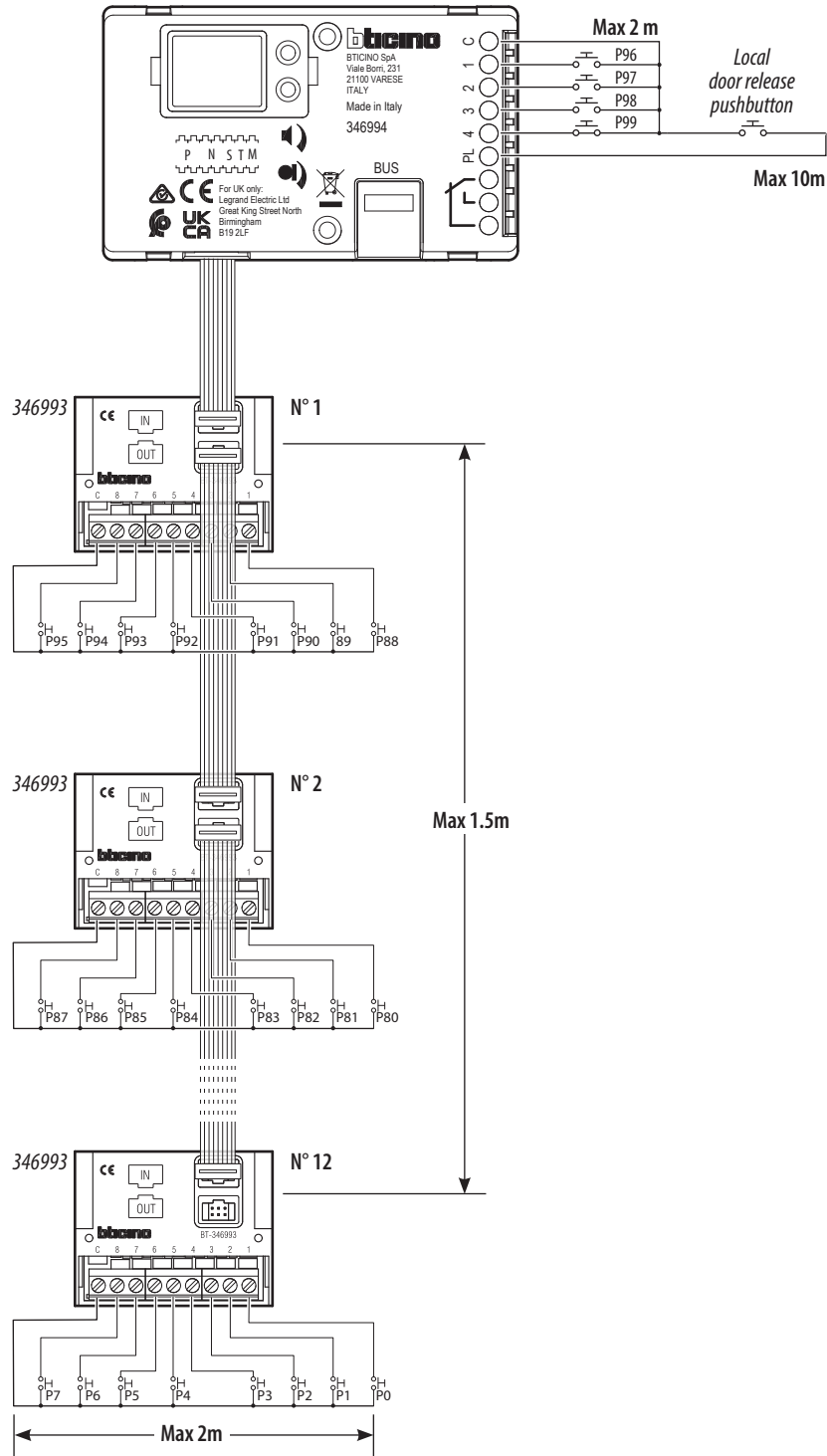
Configurator	0	1	2	3
Tone status	All tones enabled	Door lock tone disabled	Call tone disabled	All tones disabled

Wiring diagrams

Example of wiring with associated video interface



Example of maximum wiring



Caution:

- Maximum distance of the call pushbuttons from the modules 2m
- Maximum distance of the PL pushbutton from the module 10m
- Maximum total distance between expansion modules 1.5m